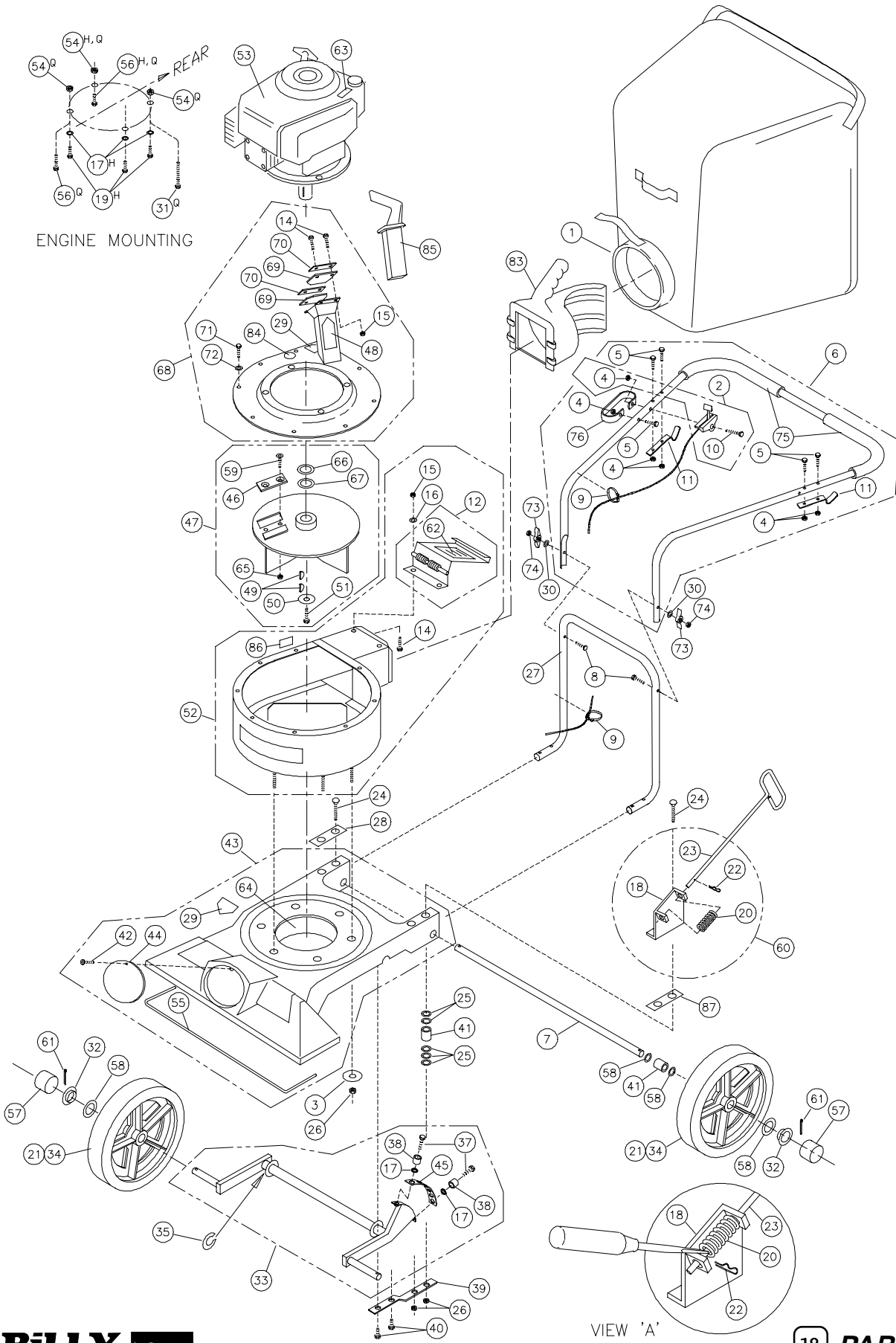


ENGINE MOUNTING



VIEW 'A'

PARTS DRAWING 10



18 PARTS DRAWING

TKD502H, TKD502ICQ

Item No.	19 PARTS LIST	Description	TKD502H Part No.	QTY	TKD502ICQ Part No.	QTY
1		DUST BAG TURF (Service) (Rental 900798) (incl. (2) of 4,5,&11)	890806	1	890806	1
2		THROTTLE ASSEMBLY (INCL. 1 ea items 4, 10)	810135	1	810135	1
3		WASHER - FLAT FENDER (11/32 x 1-1/4 x 0.05)	*8172020	6	*8172020	6
4		NUT LOCK (1/4 - 20)	*8160001	6	*8160001	6
5		SCREW CAP (1/4 - 20 x 1-1/2 HEX)	*8041008	6	*8041008	5
6		HANDLE ASS'Y (incl. items 4(3), 5(2), 11(2), 75(2), 76)	890162	1	890162	1
7		AXLE REAR - PUSH	900925	1	900925	1
8		SCREW HANDLE 5/16 - 18 x 2-1/4	900547	2	900547	2
9		CLAMP CABLE 1" I.D.	900813	2	900813	2
10		SCREW CAP 1/4 - 20 x 2 HEX	*8041010	1	*8041010	1
11		ROD BAG LOOP	900039	2	900039	2
12		DOOR EXHAUST ASS'Y (incl. item 62)	800178	2	800178	2
13						
14		SCREW CAP #10 - 24 x 5/8	*8059135	6	*8059135	6
15		NUT LOCK #10 NC	*8164005	6	*8164005	6
16		WASHER #10 FC	*8171001	2	*8171001	2
17		WASHER LOCK 5/16 EXT. TOOTH	*8181008	5	*8181008	2
18		BRACKET - HEIGHT ADJUSTMENT	900932	1	900932	1
19		SCREW CAP 5/16 - 24 x 1"	400164	3	-	-
20		SPRING	900136	1	900136	1
21		TIRE - ONLY (PER ASSY)	900507	1	900507	1
22		PIN - HAIR COTTER	900471	1	900471	1
23		ROD SHORT HEIGHT ADJUSTMENT	890110	1	890110	1
24		BOLT - CARRIAGE 5/16 - 18 x 3-1/2	*8024050	4	*8024050	4
25		WASHER - FLAT 5/16 SAE	*8172008	20	*8172008	20
26		NUT LOCK 5/16 - 18 HEX	*8160002	10	*8160002	10
27		HANDLE STUB (R.H.)	900911	1	900911	1
28		PLATE HANDLE SUPPORT	900933	1	900933	1
29		LABEL DANGER CUT FINGER	400424	2	400424	2
30		HANDLE STUB (L.H.)	900912	1	900912	1
31		SCREW CAP 5/16 - 18 x 2-1/2	-	-	*8041034	1
32		WASHER HUB CAP 1/2 I.D.	900927	4	900927	4
33		AXLE FRONT MECH. ASS'Y (INCL 17, 37, 38, 45)	900749	1	900749	1
34		WHEEL ASS'Y CAST (incl. items 21)	900509	4	900509	4
35		WASHER 0.75"C"	900997	1-0	900997	1-0
36		BEARING ONLY (QTY PER WHEEL ASSY)	900498	2	900498	2
37		SCREW CAP 5/16 - 18 x 1"	*8041028	2	*8041028	2
38		SPACER 0.340" I.D. x 0.330" LG.	900745	2	900745	2
39		PLATE BRACE REAR	900905	2	900905	2
40		SCREW CAP 1/4 - 20 x 1/2	*8041002	4	*8041002	4
41		SPACER	900926	6	900926	6
42		SCREW SELF TAPPING 10 - 24 x 1/2	*8123086	1	*8123086	1
43		NOZZLE MAINFRAME ASS'Y (incl. one of items 29, 44, 42, 55, 64)	900931	1	900931	1
44		PLUG	900146	1	900146	1
45		PLATE QUAD. ADJUSTABLE	900746	1	900746	1
46		BLADE CHIPPER	890101	1	890101	1
47		IMPELLER ASS'Y (incl. items 46, 49, 50, 51, 59, 65, 66, 67)	890146-S	1	890144-S	1
48		LABEL CHIPPER	890152	1	890152	1
49		KEY 3/16 SQ. x 1.25	-	-	9201080	1
		KEY HI PRO 5/32 x 5/8	900162	2	-	-
50		WASHER LOCK 3/8 TWISTED TOOTH	400502	1	400502	1
51		SCREW CAP 3/8 - 24 x 1 (HARDENED) (TORQUE 50 FT-LBS)(68N-m)	900154	1	900154	1
52		HOUSING ASS'Y (incl. items 12, 14, 15, 16, 86)	890155	1	890155	1
53		ENGINE HONDA 5.5 H.P.	900615	1	-	-
		ENGINE BRIGGS & STRATTON 5 H.P. QUANTUM IC	-	-	900273	1
54		NUT LOCK 5/16 - 18 HEX	*8160002	1	*8160002	3
55		ROD BUMPER	900939	1	900939	1
56		SCREW CAP 5/16 - 18 x 1-1/4	-	-	*8041029	2
		SCREW CAP 5/16 - 18 x 1-1/2	*8041030	1	-	-
57		CAP HUB	900486	4	900486	4
58		WASHER FLAT 1/2 SAE	*8172011	8	*8172011	8
59		SCREW SOCKET HD. 5/16 - 18 x 3/4 GR. 8	890103	2	890103	2
60		CAP END	890132	2	890132	2
61		PIN COTTER 3/32 x 3/4	*8197016	4	*8197016	4
62		LABEL DANGER FLYING MATERIAL	810736	1	810736	1
63		LABEL DO NOT FILL WHEN ENGINE IS HOT	400268	1	400268	1
64		GUARD FOAM INSERT	900977	1	900977	1
65		NUT KEPS 5/16 -18	890104	2	890104	2
66		WASHER SHIM 0.060" (1.52mm)	890130	0-1	890130	0-1
67		WASHER SHIM 0.020" (0.51mm)	890131	0-2	890131	0-2
68		PLATE TOP ASS'Y (incl. items 14, 15, 29, 48, 69, 70, 71, 72)	890159	1	890159	1
69		GUARD FLAPPER	890119	2	890119	2
70		PLATE FLAPPER ENTRANCE	890127	2	890127	2
71		SCREW CAP 5/16 - 18 x 1/2 HEX HD. GR. 5	890149	9	890149	9
72		WASHER LOCK CONICAL 5/16	890150	9	890150	9
73		KNOB WING 5/16 - 18	890108	2	890108	2
74		NUT LOCK 5/16 - 18 THIN HT.	*8161041	2	*8161041	2
75		GRIP HANDLE	830166	2	830166	2
76		BRACKET LOPPER LOOP W.A.	890161	1	890161	1
77		PLATE BAG SUPPORT PLASTIC	900640	1	900640	1

* Denotes standard hardware item that may be purchased locally.

PARTS LIST 11


Item No.	Description	TKD505H Part No.	QTY	TKD505ICQ Part No.	QTY
78	BAG SUPPORT ASS'Y (incl. 4 (4), 77, 79(2), 80, 81(4), 82(4))	900647	1	900647	1
79	BAR SUPPORT HOOK	900641	2	900641	2
80	STRAP BAG SUPPORT	900642	1	900642	1
81	SCREW CAP 1/4 - 20 X 3/4	*8041004	4	*8041004	4
82	WASHER 1/4 SAE	*8172007	4	*8172007	4
83	CONNECTOR BAG QUICK	890176	1	890176	1
84	LABEL READ OWNER'S MANUAL	890301	1	890301	1
85	TAMPER	890229	1	890229	1
86	LABEL EAR EYE BREATHING	890254	1	890254	1
87	PLATE BRACE ADJ. KD / TKD	900756	1	900756	1


* Denotes standard hardware item that may be purchased locally.

Problem	Possible Cause	Solution
Will not vacuum or has poor vacuum performance.	Dirty debris bag. Nozzle height set too high or too low. Hose kit cap missing. Clogged nozzle or exhaust. Excessive quantity of debris.	Clean debris bag. Shake bag clean or wash. Adjust nozzle height. Check for hose kit cap. Unclog nozzle or exhaust (see page 5). Allow air to feed with debris.
Poor chipping performance.	Extremely hard wood. Dull or damaged chipper blade.	Avoid extremely hard wood. Sharpen or replace chipper blade (see page 8).
Engine stalls or labors when chipping.	Feeding branches into chipper too rapidly. Engine service may be required.	Feed branches at a slower rate. Service engine.
Nozzle scrapes ground in lowest height setting.	Nozzle height out of adjustment.	Adjust nozzle height. (See Nozzle height fine adjustment for hard surface use on page 5).
Abnormal vibration.	Loose or out of balance impeller or loose engine.	Check impeller and replace if required. Check Engine.
Engine will not start.	Stop switch off (Honda only). Throttle in off position. Engine not in full choke position (Honda only). Out of gasoline. Bad or old gasoline. Spark Plug wire disconnected. Dirty air cleaner.	Check stop switches, throttle, choke position and gasoline. Connect spark plug wire. Clean or replace air cleaner. Or contact a qualified service person.
Engine is locked, will not pull over.	Debris locked in chipper blade, hopper or inside impeller. Engine problem.	See page 5, Clearing a clogged chipper hopper. Contact an engine servicing dealer for engine problems.

22.1 Engine Service and Warranty
Contact your nearest engine manufacturer's authorized servicing dealer.

21 Serial Plate Record your machine model, serial number and date-of-purchase and where purchased


96


CE95

1803 S. Jefferson P.O. Box 308
Lee's Summit, Mo. 64063 / USA
(816) 524-9666 FAX (816) 524-6983

Model

Serial No.

Unit (weight)

lbs

kg

Engine Power

kW

min⁻¹

Operator _____

Purchase Date _____ **Purchased from** _____

WARRANTY PROCEDURE

Please fill in the WARRANTY CARD and send the upper part to Billy Goat. The WARRANTY terms are stated on the lower part which remains with the user. Whenever a Billy Goat Machine is faulty due to a defect in material and / or workmanship, the owner should make a warranty claim as follows:

The Machine should be taken to the dealer from whom it was purchased or to an authorized Billy Goat dealer.

The owner should present the remaining half of the Warranty Registration Card, or, if this is not available, the invoice or receipt.

The Warranty Claim will be filled in by the authorized Billy Goat Dealer, who will send it with the faulty part to Billy Goat headquarters.

The Quality / Service department at Billy Goat headquarters will study the claim and parts and will notify their conclusions.

The decision by the Quality / Service department at Billy Goat headquarters to approve or reject a Warranty claim is final and binding.

Note: To process a Warranty Claim, it is necessary to quote the Model & Serial number who are printed on the Billy Goat Serial Plate.



BILLY GOAT INDUSTRIES INC.
P.O. BOX 308 (1803 S JEFFERSON LEE'S SUMMIT, MO. 64063 / USA
PHONE: 816-524-9666 FAX: 816-524-6983