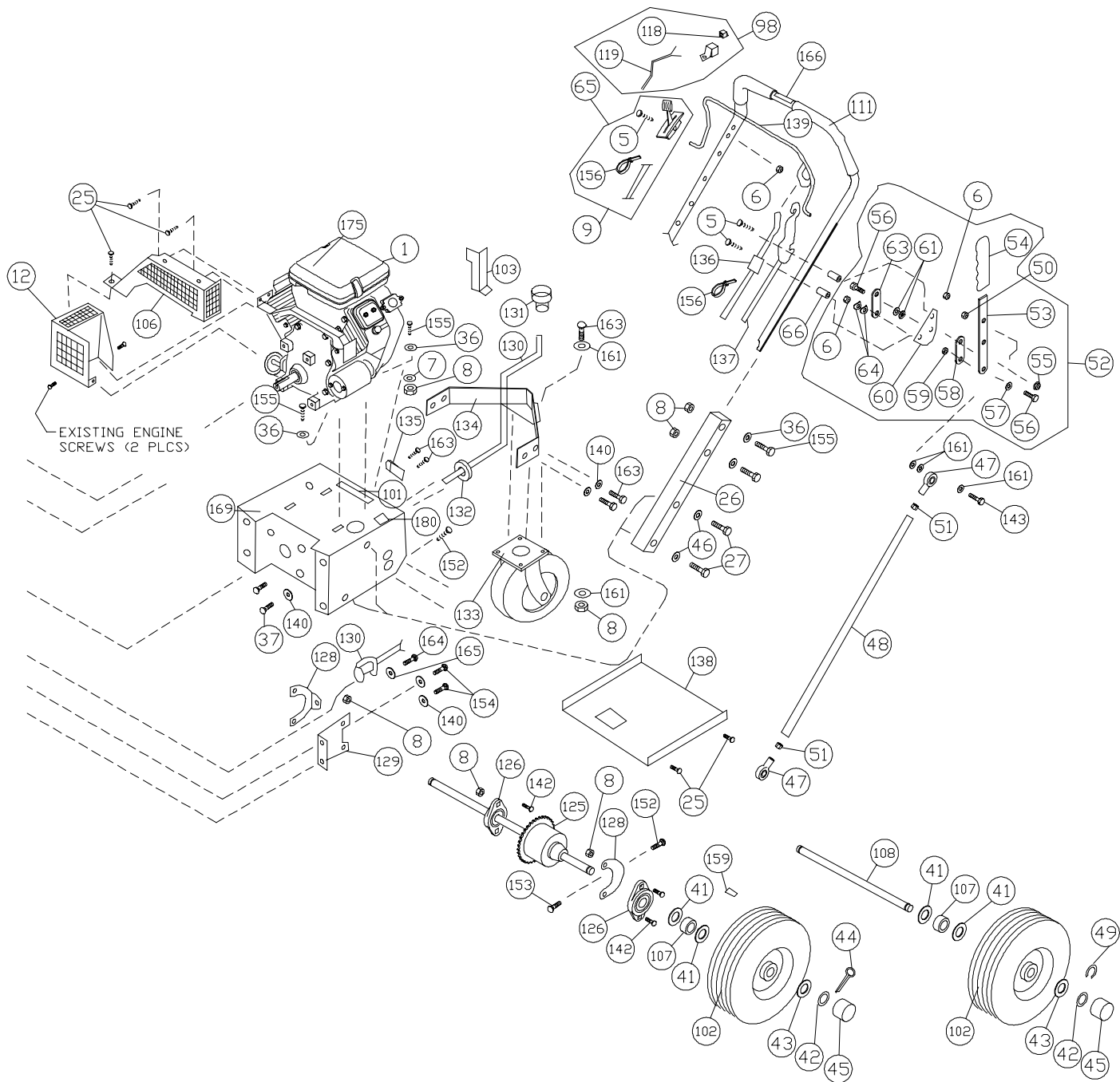


18 PARTS DRAWING

QB1601, QB1601SP



18 PARTS DRAWING

QB1601, QB1601SP

Item No.	19 PARTS LIST Continued	Description	QB1601	QTY	QB1601SP	QTY
1		ENGINE 16 HP VANGUARD	811057	1	811057	1
2						
3		GRILL SCROLL W. A.	400652	1	400652	1
4		FRAME FRONT WHEEL W.A.	400656	1	400656	1
5		SCREW CAP 1/4-20 x 2-1/4"	*8041011	1	*8041011	3
6		NUT LOCK 1/4-20	*8160001	1	*8160001	6
7		WASHER FLAT 5/16 SAE	*8172008	4	*8172008	7
8		NUT LOCK 5/16-18	*8160002	16	*8160002	28
9		CONTROL THROTTLE	850270	1	850270	1
10						
11						
12		GUARD MUFFLER	811058	1	811058	1
13						
14		IMPELLER ASSY QB1601	400720	1	430107	1
15		KEY 1/4 SQ X 2.25	9201123	1	9201123	1
16		WASHER LOCK 3/8 TWISTED TOOTH.	400502	3	400502	3
17		SCREW CAP 3/8-24 X 1 1/4 GR 8 (TORQ 50 ft.lbs.[68 Nm])	400946	1	-	-
		SCREW CAP 3/8-24 x 2 1/4 GR. 8(TORQ. 50 ft.lbs.[68 Nm])	-	-	810932	1
18		SCREW CAP 5/16-18 X 1"	*8041028	4	*8041028	4
19		WHEEL FRONT	400295	1	400295	1
20		AXLE FRONT	400730	1	400730	1
21		TUBE SPACER QB 1600	400733	1	400733	1
22		CAP - PLUG 1.25 SQ	400640	2	400640	2
23						
24		SCREW CAP 3/8-16 X 1 3/4	*8041053	2	-	-
		SCREW CAP 3/8-16 x 2"	-	-	*8041054	2
25		SCREW SHEET METAL 1/4 AB X 3/4	*8122082	11	*8122082	17
26		HANDLE LOWER W.A.	400735	2	400735	2
27		SCREW CAP 5/16-18 X 2	*8041032	4	*8041032	2
28		DEFECTOR EXHAUST	400677	1	400677	1
29		WASHER WEAR PLATE	400684	1	400684	1
30		ROD DIVERTER QB1600	400697	1	400697	1
31		SPACER	400330	1	-	-
32		SPRING COMPRESSION	400332	1	-	-
33		RING GRIP	400340	1	400340	1
36		WASHER FLAT CUT 5/16	*8171003	20	*8171003	17
37		SCREW CAP 5/16-18 X 3/4	-	-	*8041026	4
38		SCREW MACH #10 - 24 X 5/8 HEX WF	*8059135	6	*8059135	6
39		NUT LOCK # 10-24	*8164005	8	*8164005	8
40		WASHER FLAT CUT 3/8	*8171004	2	*8171004	1
41		WASHER 3/4 SAE	*8172015	6	*8172015	4
42		WASHER HUB CAP	850237	4	850237	4
43		WASHER (0.765 X 1.25 OD X 0.06)	850238	4	850238	4
44		PIN COTTER 1/8 X1	-----	-	*8197031	4
45		CAP HUB	900486	4	900486	4
46		WASHER FENDER	*8172020	4	*8172020	4
47		ROD END BALL JOINT 3/8-24	-	-	400886	2
48		ROD DIVERTER REMOTE	-	-	400887	2
49		RING SNAP 0.75"	850230	2	-----	--
50		NUT LOCK 3/8 - 16	-	-	*8160003	1
51		NUT JAM 3/8-24	-	-	*8149003	2
52		LEVER FRICTION ASSY	-	-	400875	1
53		BAR LEVER REMOTE	-	-	400839	1
54		GRIP HANDLE	-	-	850190	1
55		NUT 1/4-20 WASHER FACE	-	-	900455	1
56		SCREW CAP 1/4-20 x 1"	-	-	*8041006	2
57		WASHER LOCK 1/4 EXT.	-	-	*8181007	1
58		PLATE FRICTION LIFT	-	-	850191	1
59		NUT JAM 1/4-20	-	-	*8150001	1
60		PLATE QUAD LIFT	-	-	850192	1
61		WASHER 1/4 FLAT CUT	-	-	*8171002	2
62		BALL 1/4"	-	-	850194	1
63		PLATE CLAMP LIFT	-	-	850193	1
64		WASHER 1/4" BELLVILLE	-	-	850207	2
65		THROTTLE CONTROL ASSY (Incl. items 5,6,9,156)	810135	1	810135	1
66		SPACER	-	-	850198	2
67		BAR MOUNT BRAKE	-	-	430112	1
68						
69		BAR MOUNT SPRING	-	-	430111	1
70		DEFLECTOR SIDE WA	-	-	400679	1
98		SWITCH ENGINE ASSY	430140	1	430140	1
99		WASHER LOCK 5/16 TWISTED TOOTH	800177	4	800177	4

Item No.	19 PARTS LIST Continued	Description	QB1601	QTY	QB1601SP	QTY
100		LABEL OIL CHAIN	-	-	830502	1
101		LABEL SHIFT	-	-	830237	1
102		WHEEL TIRE ASSY 16"	850147	2	-	-
		WHEEL & TIRE ASSY 16" SP	-	-	850229	2
103						
104		WASHER LOCK 1/4 SPLIT	8177010	12	8177010	15
105		GUARD CLUTCH QB1601SP	-	-	430145	1
106		GUARD MANIFOLD	811059	1	811059	1
107		SPACER WHEEL	800421	6	800421	2
108		AXLE REAR PUSH	400770	1	-	-
109		PULLEY IDLER	-	-	800260	1
110		LABEL READ OWNERS MANUAL	890301	1	890301	1
111		HANDLE UPPER ASSY W/GRIP	400984	1	430136	1
112		IDLER PIVOT WA	-	-	430157	1
113						
114		PANEL FRONT CLOSE	400846	1	400846	1
115		DEFLECTOR LOW W.A.	400845	1	400845	1
116		DEFLECTOR FRONT	400680	1	400680	1
117		SPACER ENGINE	-	-	830112	1
118		SWITCH ROCKER	500281	1	500281	1
119		HARNES ASSY SV	890442	1	890442	1
120						
121		TRANSMISSION 5 SPD/1 REV. W/BRAKE	-	-	830179	1
122		PULLEY 7" DIA.	-	-	800251	1
123		BELT 4L x 34" O.L.	-	-	830223	1
124		CHAIN #40 x 46 PITCH HEAVY DUTY	-	-	430124	1
125		DIFFERENTIAL ASSY 28T	-	-	430103	1
126		BEARING & FLANGE ASSY 0.75"	-	-	850232	3
127		BELT FINGER WA QB1601SP	-	-	430152	1
128		PLATE TENSION CHAIN W/INSERT	-	-	430122	2
129		PLATE MOUNT BEARING	-	-	430110	1
130		ROD SHIFT WA QB1601SP	-	-	430129	1
131						
132		PLATE BUSHING SHIFTER	-	-	430123	1
133		CASTER ASSY 8" PNEU.	-	-	400731	1
134		CASTER BRACKET WA QB16	-	-	430132	1
135		PLATE NEUTRAL STOP	-	-	430127	1
136		CABLE ASSY CLUTCH QB1601SP	-	-	430125	1
137		CABLE ASSY BRAKE QB1601SP	-	-	430126	1
138		PLATE GUARD DRIVE	-	-	430135	1
139		BAIL DRIVE WA QB1601SP	-	-	430137	1
140		WASHER LOCK 5/16 SPLIT	-	-	*8177011	10
141		KEY HI-PRO 3/16 x 3/4	-	-	850234	1
142		BOLT CARRIAGE 5/16-18 x 1"	-	-	*8024040	6
143		SCREW CAP 3/8-16 x 1 1/2	-	-	*8041052	2
144		WASHER 3/8 SAE	-	-	*8172009	1
145		NUT LOCK 3/8-16 THIN HT.	-	-	*8161042	1
146						
147		BOLT SHOULDER 1/2" x 1"	-	-	500114	1
148						
149						
150		SPRING	-	-	800242	1
151		SCREW CAP 5/16-24 x 3/4 GR. 5	-	-	*8042026	2
152		SCREW CAP 5/16-18 x 2 1/2	-	-	*8041033	2
153		NUT JAM 5/16-18	-	-	*8142002	2
154		SCREW SELF TAP 5/16 x 3/4	-	-	8123128	4
155		SCREW CAP 5/16-18 X 1 3/4	*8041031	8	*8041031	7
156		CLAMP CABLE PLASTIC 1"	900813	2	900813	4
157		LABEL DANGER GUARDS	-	-	900327	1
158		WASHER 3/4 FLAT CUT	-	-	*8171009	4
159		KEY 3/16 SQ. x 2 1/8	-	-	9201087	2
160		SCREW CAP 1/4-20 x 1"	-	-	*8041006	6
161		WASHER 3/8 SAE	-	-	*8172009	13
162		SPRING TENSION	-	-	400217	1
163		SCREW CAP 5/16-18 x 3/4"	-	-	*8041026	7
164		SCREW CAP 1/4-28 x 1/2 GR. 5	-	-	850408	1
165		WASHER 1/4 SAE	-	-	*8172007	1
166		LABEL CLUTCH	-	-	830503	1
167		SCREW CAP 1/4 - 20 X 3/4	8041004	2	8041004	2
168		HSG ASSY	400914	1	400914	1
169		BASE ENGINE ASSY (PUSH MODEL)	430113	1	-	-
		BASE ENGINE ASSY W/LABELS (SP MODEL)	-	-	430105	1

* Denotes standard hardware item that may be purchased locally.

	19	PARTS LIST	Item Continued No.	Description	QB1601	QTY	QB1601SP	QTY
170				SCREW CAP 5/16-18 x 1" GR. 5	400912	4	400912	4
171								
172				LABEL WARNING OPEI	400424	1	400424	1
173				LABEL DANGER FLYING MATERIAL	810736	1	810736	1
174				LABEL EAR EYE BREATHING	890254	1	890254	1
175				LABEL DO NOT FILL WHEN ENGINE IS HOT	400268	1	400268	1
176				SCREW MACH. #10-24 x 1 1/2	*8059145	1	*8059145	1
177								
178				WASHER LOCK 1/4 SPLIT	-	-	*8041029	2