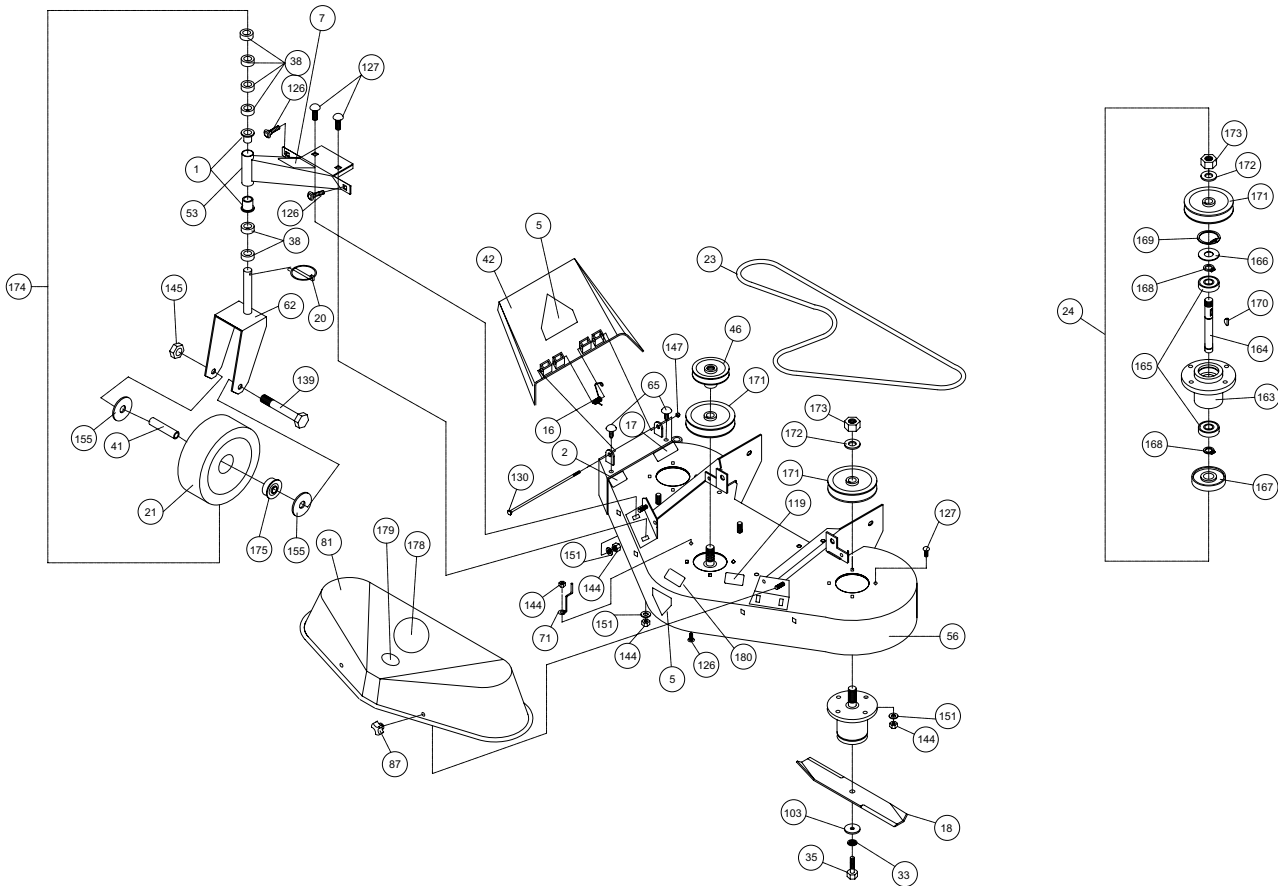




**18 PARTS DRAWING**

**FM3300 & FM3300E  
DECK ASSEMBLY**

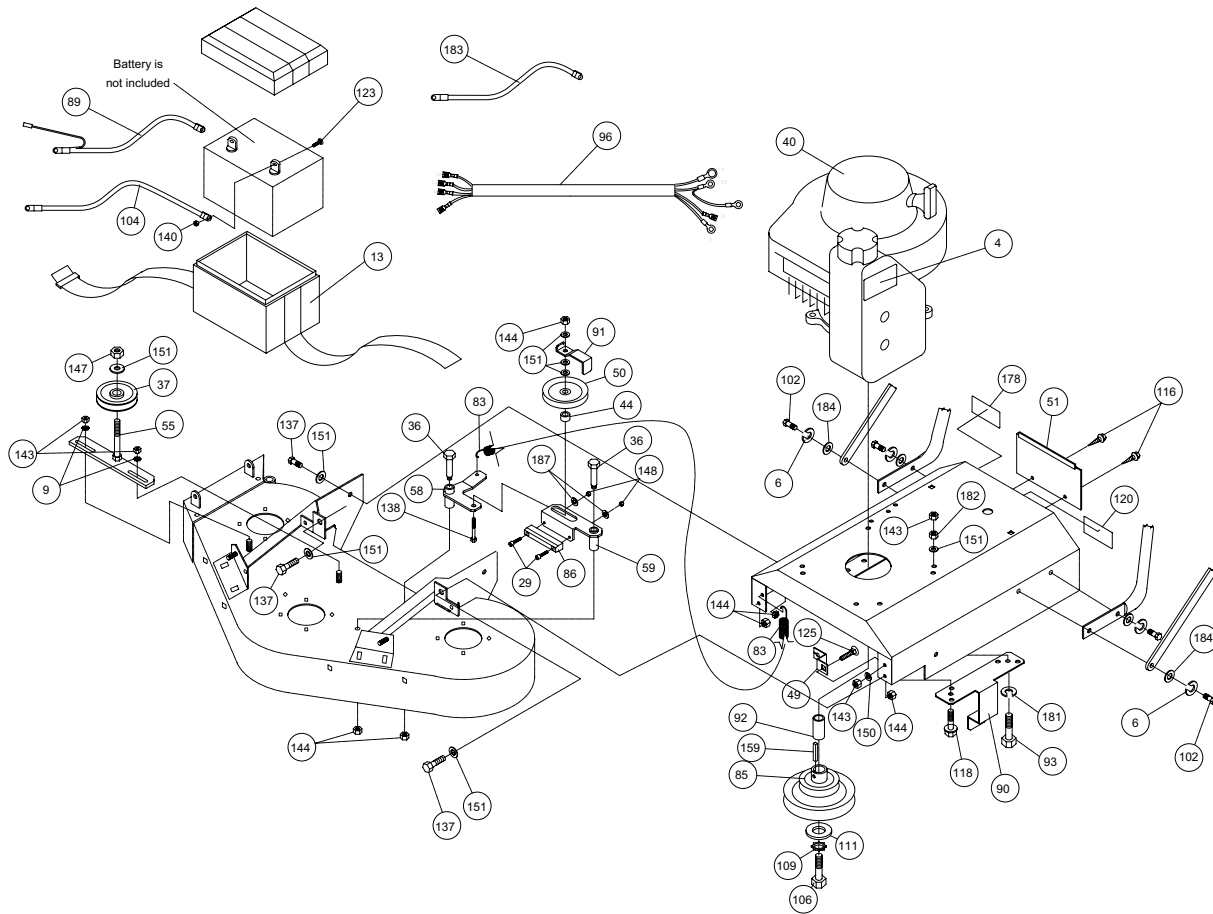


| ITEM NO. | DESCRIPTION              | FM3300E QTY | PART NO. | FM3300 QTY | PART NO. | ITEM NO. | DESCRIPTION                 | FM3300E QTY | PART NO.  | FM3300 QTY | PART NO.  |
|----------|--------------------------|-------------|----------|------------|----------|----------|-----------------------------|-------------|-----------|------------|-----------|
| 1        | BUSHING PIVOT            | 4           | 360183   | 4          | 360183   | 126      | BOLT CARRIAGE 3/8-16X1" ZP  | 5           | 8024058   | 5          | 8024058   |
| 2        | LABEL DANGER FLY         | 1           | 810736   | 1          | 810736   | 127      | BOLT CARRIAGE 3/8-X 1 1/4   | 16          | 8024059   | 16         | 8024059   |
| 5        | LABEL WARNING            | 2           | 400424   | 2          | 400424   | 130      | SCREW CAP 1/4 - 20 X 7"     | 1           | 8041023   | 1          | 8041023   |
| 7        | LABEL HGT. GUIDELINE     | 1           | 520043   | 1          | 520043   | 139      | SCREW CAP 1/2-13 X 4 1/2    | 2           | 8041107   | 2          | 8041107   |
| 16       | SPRING EXHAUST CHUTE     | 1           | 510205   | 1          | 510205   | 144      | NUT 3/8-16 LOCK NYLON       | 21          | 8160003   | 21         | 8160003   |
| 17       | LABEL WARNING MOWER      | 1           | 510206   | 1          | 510206   | 145      | NUT 1/2-13 LOCK NYLON       | 2           | 8160005   | 2          | 8160005   |
| 18       | BLADE 11.88"             | 3           | 520001   | 3          | 520001   | 147      | NUT 1/4-20 LOCK NYLON       | 1           | 8160001   | 1          | 8160001   |
| 20       | LYNCH PIN 3/16" X 1 9/16 | 2           | 520004   | 2          | 520004   | 151      | WASHER 5/16" FC             | 20          | 8171003   | 20         | 8171003   |
| 21       | WHEEL AND TIRE 8" ASSY.  | 2           | 520005   | 2          | 520005   | 155      | WASHER 3/4 FC               | 4           | 8172015   | 4          | 8172015   |
| 23       | BELT SPINDLE DRIVE       | 1           | 520007   | 1          | 520007   | 163      | HOUSING SPINDLE             | 3           | 520008-01 | 3          | 520008-01 |
| 24       | SPINDLE ASSY FM          | 3           | 520008   | 3          | 520008   | 164      | SHAFT SPINDLE 1215 C. D. S. | 3           | 520008-02 | 3          | 520008-02 |
| 33       | WASHER 1/2 INNER TOOTH   | 3           | 520025   | 3          | 520025   | 165      | BEARING BALL 6305-25        | 6           | 520008-03 | 6          | 520008-03 |
| 35       | SCREW CAP 1/2-20X1.25    | 3           | 520028   | 3          | 520028   | 166      | WASHER                      | 3           | 520008-04 | 3          | 520008-04 |
| 38       | BUSHING CASTER SPACERS   | 12          | 520034   | 12         | 520034   | 167      | SHIELD                      | 3           | 520008-05 | 3          | 520008-05 |
| 41       | SPACER FRONT CASTER      | 2           | 520041   | 2          | 520041   | 168      | RETAINING RING              | 6           | 520008-06 | 6          | 520008-06 |
| 42       | EXHAUST CHUTE DEFLECT.   | 1           | 520042   | 1          | 520042   | 169      | RETAINING RING              | 3           | 520008-07 | 3          | 520008-07 |
| 46       | PULLEY DECK FRONT DRIVE  | 1           | 520047   | 1          | 520047   | 170      | WOODRUFF KEY # 605          | 3           | 520008-08 | 3          | 520008-08 |
| 53       | BRKT CASTER ARM FM WA    | 2           | 520067-S | 2          | 520067-S | 171      | PULLEY 4.75" DIA. 3/4" BORE | 3           | 520008-09 | 3          | 520008-09 |
| 56       | DECK WA W/ LABELS        | 1           | 520071-S | 1          | 520071-S | 172      | MACHINERY BUSHING 3/4"      | 3           | 520008-10 | 3          | 520008-10 |
| 62       | BRACKET CASTER FM WA     | 2           | 520067-S | 2          | 520067-S | 173      | NUT 3/4-16 NYLON HEX        | 3           | 520008-11 | 3          | 520008-11 |
| 65       | PLUG 3/8" BUTTON HEAD    | 2           | 520081   | 2          | 520081   | 174      | FRONT CASTER ASSY.          | 2           | 520140    | 2          | 520140    |
| 71       | WIRE BELT FINGER         | 1           | 520088   | 1          | 520088   | 175      | BEARING CASTER WHEEL        | 4           | 520124    | 4          | 520124    |
| 81       | GUARD BELT W/ LABELS FM  | 1           | 520100-S | 1          | 520100-S | 178      | LABEL BGI BIG CIRCLE        | 1           | 430303    | 1          | 430303    |
| 87       | KNOB 3 PRONG 1/4"        | 4           | 520109   | 4          | 520109   | 179      | LABEL 33" CUT FM            | 1           | 520115    | 1          | 520115    |
| 103      | WASHER 1/2" X 2          | 3           | 610308-P | 3          | 610308-P | 180      | LABEL MADE IN USA           | 1           | 520116    | 1          | 520116    |
| 119      | LABEL DANGER             | 1           | 900327   | 1          | 900327   |          |                             |             |           |            |           |



# 18 PARTS DRAWING

## FM3300 & FM3300E ENGINE ASSEMBLY

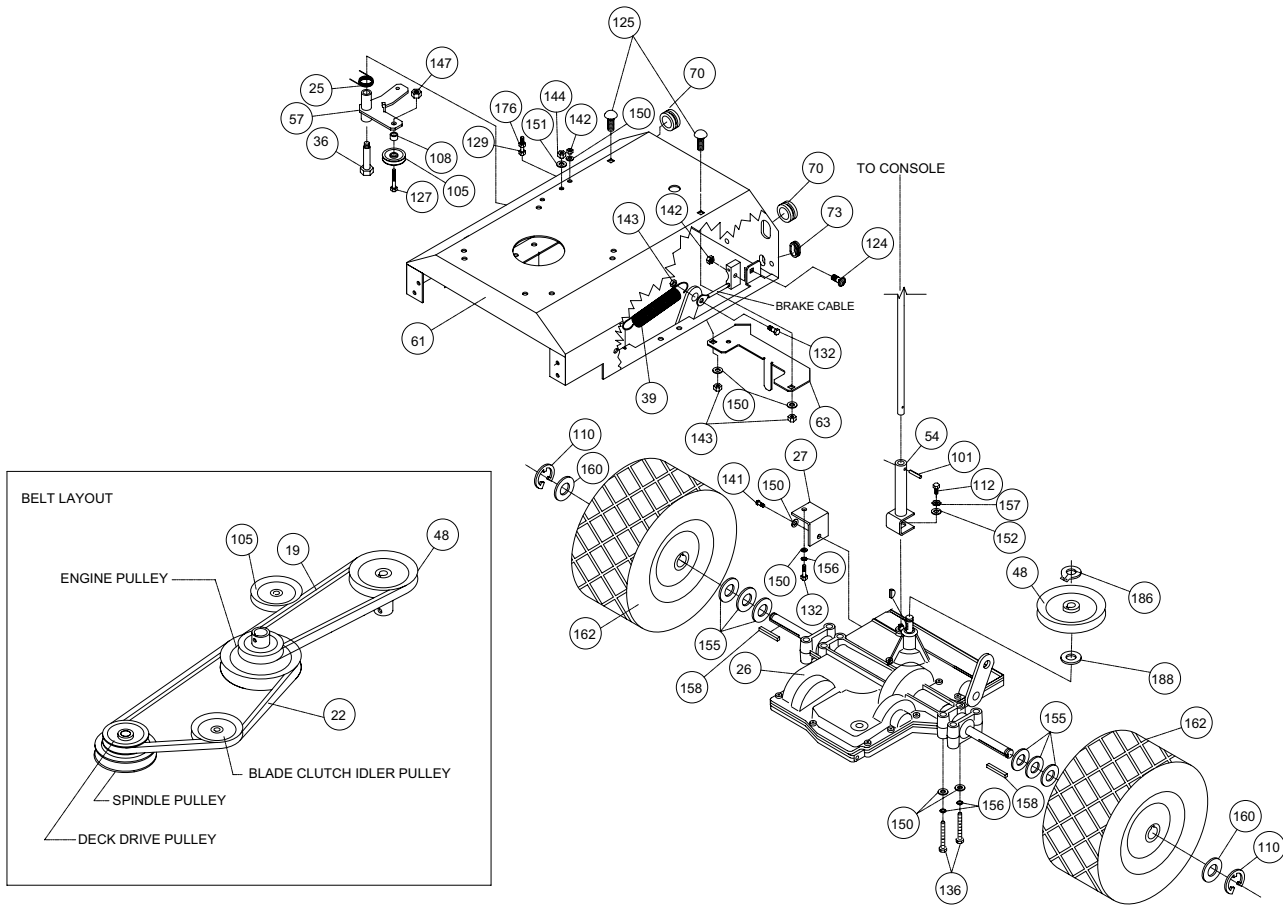


| ITEM NO. | DESCRIPTION              | FM3300E PART NO. | QTY | FM3300 PART NO. | QTY | ITEM NO. | DESCRIPTION                | FM3300E PART NO. | QTY | FM3300 PART NO. | QTY |
|----------|--------------------------|------------------|-----|-----------------|-----|----------|----------------------------|------------------|-----|-----------------|-----|
| 4        | LABEL DO NOT FILL HOT    | 400268           | 1   | 400268          | 1   | 104      | CABLE BATTERY BLACK 10"    | 790133           | 1   | -               | -   |
| 6        | WASHER SPLIT LOCK 3/8"   | 8177012          | 4   | 8177012         | 4   | 106      | SCREWCAP 7/16 X 2 1/4 GR 8 | 830114           | 1   | 830114          | 1   |
| 9        | WASHER 5/16" TWISTED LK. | 430298           | 2   | 430298          | 2   | 109      | WASHER LOCK 7/16 TWIST     | 850132           | 1   | 850132          | 1   |
| 13       | BOX BATTERY ASSY         | 500300           | 1   | -               | -   | 111      | WASHER ENGINE PULLEY       | 850443           | 1   | 850443          | 1   |
| 29       | SCREW SOCKET #10 X 1"    | 520018           | 2   | 520018          | 2   | 116      | SCREW 1/4" - 20 X 5/8"     | 890359           | 2   | 890359          | 2   |
| 36       | BOLT SHOULDER 1/2" X 2"  | 520031           | 2   | 520031          | 2   | 118      | SCREWCAP 3/8" 1 1/2" TAP   | 890408           | 3   | 890408          | 4   |
| 37       | IDLER PLASTIC 4" X 0.375 | 520032           | 1   | 520032          | 1   | 120      | LABEL GUARDS               | 900327           | 1   | 900327          | 1   |
| 40       | ENGINE 13 HP B&S         | 520039           | 1   | 520046          | 1   | 123      | BOLT CARRIAGE 1/4" X 3/4"  | 8024039          | 2   | 8024039         | 2   |
| 44       | SPACER NYLON BRAKE       | 520045           | 1   | 520045          | 1   | 125      | BOLT CARRIAGE 5/16" X 1"   | 8024040          | 1   | 8024040         | 1   |
| 49       | BRKT CLUTCH CABLE FM     | 520052           | 1   | 520052          | 1   | 137      | SCREW CAP 3/8"-16 X 1 HEX  | 8041050          | 4   | 8041050         | 4   |
| 50       | PULLEY IDLER BLADE DRIVE | 520061           | 1   | 520061          | 1   | 138      | SCREW CAP 3/8"-16 X 2 HEX  | 8041054          | 1   | 8041054         | 1   |
| 51       | PLATE ACCESS DOOR FM     | 520062           | 1   | 520062          | 1   | 140      | NUT LOCK 1/4"-20 NYLON     | 8160001          | 2   | 8160001         | 2   |
| 55       | BRKT IDLER DECK BLADE WA | 520070           | 1   | 520070          | 1   | 143      | NUT LOCK 5/16"-18 NYLON    | 8160002          | 3   | 8160002         | 3   |
| 58       | PLATE BLADE CLUTCH IDL.  | 520073           | 1   | 520073          | 1   | 144      | NUT LOCK 3/8"-16 NYLON     | 8160003          | 6   | 8160003         | 5   |
| 59       | PLATE BLADE CLUTCH BK    | 520074           | 1   | 520074          | 1   | 147      | NUTLOCK 3/8"-16 LW TH ZP   | 8161042          | 1   | 8161042         | 1   |
| 83       | SPRING TENSION WIRE      | 520103           | 1   | 520103          | 1   | 148      | NUT LOCK #10               | 8155007          | 2   | 8155007         | 2   |
| 85       | PULLEY DOUBLE 6 / 3.5 FM | 520105           | 1   | 520105          | 1   | 150      | WASHER 1/4" FC             | 8171002          | 1   | 8171002         | 1   |
| 86       | BRAKE PUCK FM            | 520106           | 1   | 520106          | 1   | 151      | WASHER 5/16" FC            | 8171003          | 8   | 8171003         | 8   |
| 89       | CABLE BATTERY POS 10"    | 520111           | 1   | -               | -   | 159      | KEY 1/4" SQ. X 2.25" LONG  | 9201123          | 1   | 9201123         | 1   |
| 90       | BRACKET BELT FINGER      | 520112           | 2   | 520112          | 2   | 178      | LABEL PATENT PENDING       | 500183           | 1   | 500183          | 1   |
| 91       | BRACKET BELT FINGER BK.  | 520113           | 1   | 520113          | 1   | 181      | WASHER SPLIT LOCK 5/16"    | 8177011          | 1   | -               | -   |
| 92       | SPACER HUB 1" BORE 1.5"  | 520114           | 1   | 520114          | 1   | 182      | NUT JAM 5/16"              | 8142002          | 1   | -               | -   |
| 93       | SCREWCAP 5/16" -18 x 2"  | 8041032          | 1   | -               | -   | 183      | POSITIVE CABLE 10"         | 520123           | 1   | -               | -   |
| 96       | WIRE HARNESS             | 520118           | 1   | -               | -   | 184      | WASHER 3/8" FLATCUT        | 8171004          | 4   | 8171004         | 4   |
| 102      | SCREWCAP 3/8" - 1.25"    | 8041051          | 4   | 8041051         | 4   | 187      | WASHER #10 FLATCUT         | 8171001          | 2   | 8171001         | 2   |



**18 PARTS DRAWING**

**FM3300 & FM3300E  
DRIVE ASSEMBLY**

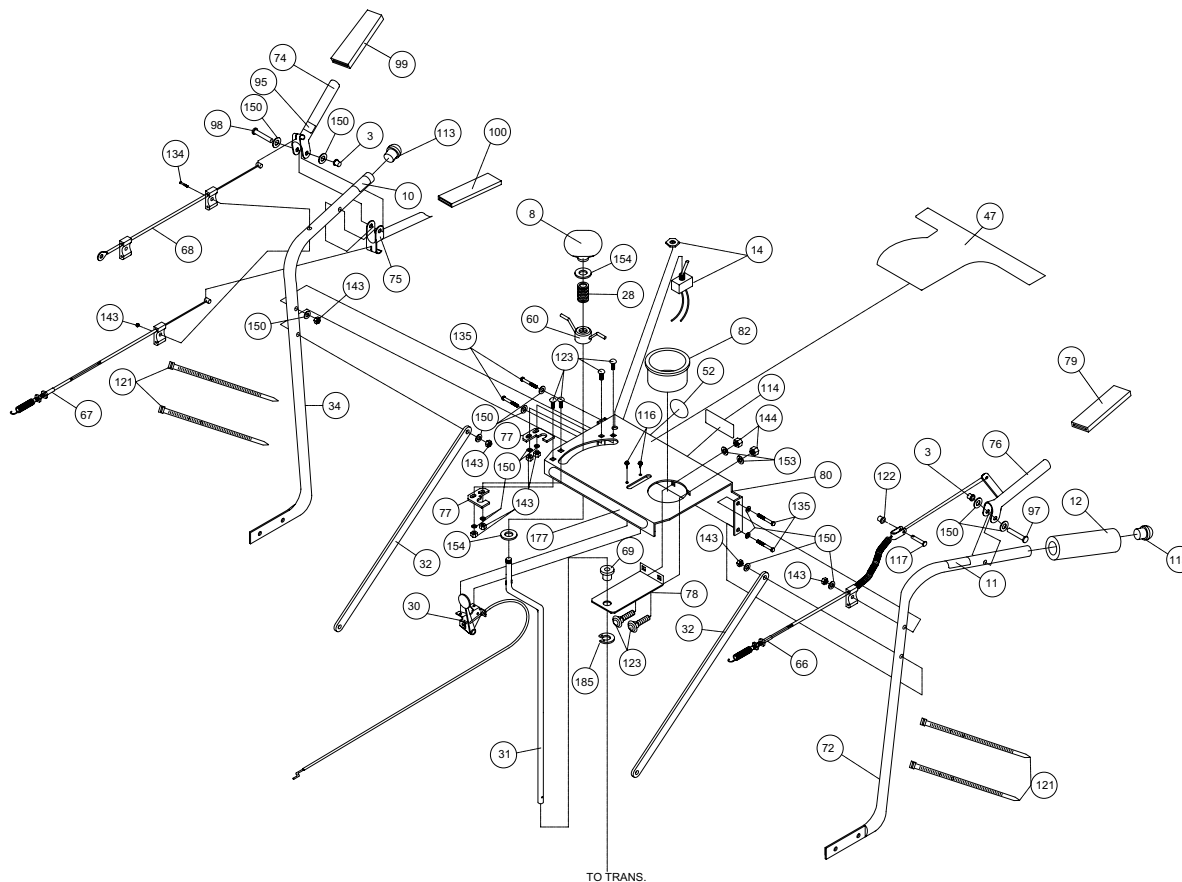


| ITEM NO. | DESCRIPTION                 | FM3300E PART NO. | QTY | FM3300 PART NO. | QTY | ITEM NO. | DESCRIPTION                | FM3300E PART NO. | QTY | FM3300 PART NO. | QTY |
|----------|-----------------------------|------------------|-----|-----------------|-----|----------|----------------------------|------------------|-----|-----------------|-----|
| 19       | BELT TRANS DRIVE FM         | 520003           | 1   | 520003          | 1   | 127      | SCREWCAP 3/8-16 X 1 3/4    | 8041053          | 1   | 8041053         | 1   |
| 22       | BELT BLADE DRIVE FM         | 520006           | 1   | 520006          | 1   | 129      | SCREWCAP 1/4"-20 X 2.75"   | 8041013          | 1   | 8041013         | 1   |
| 25       | SPRING TORSION WIRE         | 520009           | 1   | 520009          | 1   | 132      | SCREWCAP 5/16-18 X 1.25"   | 8041029          | 1   | 8041029         | 1   |
| 26       | TRANSAXLE 5SPD FM           | 520010           | 1   | 520010          | 1   | 136      | SCREW CAP 5/16 - 18 x 2.75 | 8041035          | 4   | 8041035         | 4   |
| 27       | BRACKET T-AXLE SUPPORT      | 520016           | 1   | 520016          | 1   | 141      | SCREW SELF TAP 5/16        | 8123128          | 1   | 8123128         | 1   |
| 36       | BOLT SHOULDER 1/2" X 2"     | 520031           | 1   | 520031          | 1   | 142      | NUT LOCK 1/4-20 NYLON      | 8160001          | 2   | 8160001         | 2   |
| 39       | SPRING BRAKE                | 520037           | 1   | 520037          | 1   | 143      | NUT LOCK 5/16-18 NYLON     | 8160002          | 3   | 8160002         | 3   |
| 48       | PULLEY 5" OD "A" SEC. FM    | 520181           | 1   | 520181          | 1   | 144      | NUT LOCK 3/8-16 NYLON      | 8160003          | 1   | 8160003         | 1   |
| 54       | SHIFT LINKGAGE WA FM        | 520068           | 1   | 520068          | 1   | 147      | NUTLOCK 3/8"-16 LW TH ZP   | 8161042          | 1   | 8161042         | 1   |
| 57       | BRKT IDLER GRND DRIVE       | 520072           | 1   | 520072          | 1   | 150      | WASHER 1/4" FC             | 8171002          | 5   | 8171002         | 5   |
| 61       | BASE ENGINE W/INSERTS       | 520177           | 1   | 520177          | 1   | 151      | WASHER 5/16" FC            | 8171003          | 1   | 8171003         | 1   |
| 63       | BRACKET IDLER TENSION       | 520078           | 1   | 520078          | 1   | 152      | WASHER 1/4 SAE             | 8172007          | 1   | 8172007         | 1   |
| 70       | GROMMET RUBBER 1"           | 520087           | 2   | 520087          | 2   | 155      | WASHER 3/4 FC              | 8172015          | 6   | 8172015         | 6   |
| 73       | GROMMET RUBBER 1.25"        | 520092           | 1   | 520092          | 1   | 156      | WASHER LOCK 5/16 SPLIT     | 8177011          | 5   | 8177011         | 5   |
| 101      | ROLL PIN 1/4" X 1.0 IN LONG | 520156           | 1   | 520156          | 1   | 157      | WASHER LOCK 1/4" EXT.      | 8181007          | 1   | 8181007         | 1   |
| 105      | PULLEY IDLER TENSION        | 800260           | 1   | 800260          | 1   | 158      | KEY 3/16 x 2 1/8           | 9201087          | 2   | 9201087         | 2   |
| 108      | TUBE PIVOT IDLER VQ         | 830526           | 1   | 830526          | 1   | 160      | WASHER 3/4 THIN            | 850238           | 2   | 850238          | 2   |
| 110      | RING SNAP 0.75              | 850230           | 2   | 850230          | 2   | 162      | WHEEL AND TIRE 13"         | 830177           | 2   | 830177          | 2   |
| 112      | SCREW CAP 1/4-28X1/2" GR 5  | 850408           | 1   | 850408          | 1   | 176      | NUT JAM 1/4-20             | 8143001          | 1   | 8143001         | 1   |
| 124      | BOLT CARR. 1/4-20X1.25"     | 8024023          | 1   | 8024023         | 1   | 186      | RING SNAP 5/8 T.A.         | 850233           | 1   | 850233          | 1   |
| 125      | BOLT CARR. 5/16-18X1"       | 8024058          | 2   | 8024058         | 2   | 188      | WASHER 0.906 OD X 0.656    | 350280           | 1   | 350280          | 1   |



**18 PARTS DRAWING**

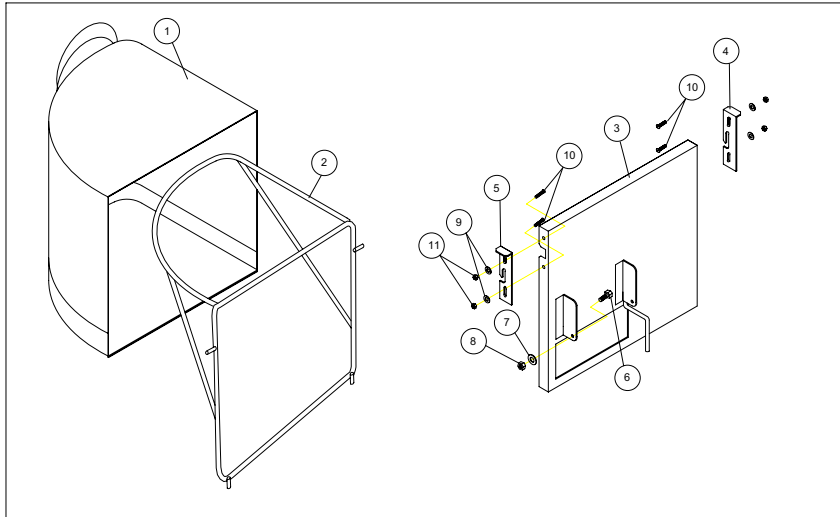
**FM3300 & FM3300E  
HANDLE ASSEMBLY**



| ITEM NO. | DESCRIPTION             | FM3300E PART NO. | QTY | FM3300 PART NO. | QTY | ITEM NO. | DESCRIPTION                 | FM3300E PART NO. | QTY | FM3300 PART NO. | QTY |
|----------|-------------------------|------------------|-----|-----------------|-----|----------|-----------------------------|------------------|-----|-----------------|-----|
| 3        | PALNUTS 3/8"            | 360218           | 2   | 360218          | 2   | 79       | GRIP LEVER ORANGE           | 520098           | 1   | 520098          | 1   |
| 8        | KNOB 1/2" THREAD        | 430128           | 1   | 430128          | 1   | 80       | CONSOLE FM W/ LABELS        | 520146           | 1   | 520145          | 1   |
| 10       | LABEL CLUTCH DRIVE      | 500176           | 1   | 500176          | 1   | 82       | CUP HOLDER                  | 520102           | 1   | 520102          | 1   |
| 11       | LABEL BLADE DRIVE       | 500177           | 1   | 500177          | 1   | 95       | LABEL PUSH TO RELEASE       | 520117           | 1   | 520117          | 1   |
| 12       | GRIP HANDLE 1" x 7"     | 500267           | 1   | 500267          | 1   | 97       | CLEVIS PINS 3/8 - 1.625     | 520119           | 1   | 520119          | 1   |
| 14       | SWITCH ELECTRIC W/ NUT  | 500307           | 1   | -               | -   | 98       | CLEVIS PINS 3/8 - 2.125     | 520120           | 1   | 520120          | 1   |
| 28       | SPRING COMPRESSOR 1/2"  | 520017           | 1   | 520017          | 1   | 99       | GRIP LEVER 0.125-1.00-3.75  | 520121           | 1   | 520121          | 1   |
| 30       | CONTROL THROTTLE POS    | 520019           | 1   | 520019          | 1   | 100      | GRIP LEVER 0.125-0.75X3.75  | 520122           | 1   | 520122          | 1   |
| 31       | ROD SHIFT LINKGAGE      | 520179           | 1   | 520179          | 1   | 113      | PLUG TUBE INSERT 1"         | 890132           | 2   | 890132          | 2   |
| 32       | BAR HANDLE BRACE FM     | 520024           | 2   | 520024          | 2   | 114      | LABEL EAR-EYE-BREATHE       | 890254           | 1   | 890254          | 1   |
| 34       | HANDLE RH FM            | 520026-S         | 1   | 520026-S        | 1   | 116      | SCREW 1/4" - 20 X 5/8       | 890359           | 2   | 890359          | 2   |
| 47       | LABEL CONSOLE           | 520048           | 1   | 520079          | 1   | 117      | PIN CLEVIS 5/16-24          | 830513           | 1   | 830513          | 1   |
| 52       | LABEL READ MANUAL       | 890301           | 1   | 890301          | 1   | 121      | TY-WRAP                     | 900407           | 4   | 900407          | 4   |
| 60       | SHIFT LOCK HANDLE FM WA | 520075           | 1   | 520075          | 1   | 122      | PAL NUTS 5/16"              | 360203           | 1   | 360203          | 1   |
| 66       | CABLE CLUTCH BLADE FM   | 520083           | 1   | 520083          | 1   | 123      | BOLT CARRIAGE 5/16-18 X 3/4 | 8024039          | 6   | 8024039         | 6   |
| 67       | CABLE CLUTCH DRIVE FM   | 520084-S         | 1   | 520084-S        | 1   | 134      | SCREW CAP 5/16-18 X 2       | 8041032          | 1   | 8041032         | 1   |
| 68       | CABLE CLUTCH BRAKE FM   | 520085           | 1   | 520085          | 1   | 135      | SCREWCAP 5/16-18 x 2 1/4    | 8041033          | 4   | 8041033         | 4   |
| 69       | BUSHING NYL SNAP-LOCK   | 520086           | 1   | 520086          | 1   | 143      | NUT LOCK 5/16-18 NYLON      | 8160002          | 9   | 8160002         | 9   |
| 72       | HANDLE LH FM            | 520091-S         | 1   | 520091-S        | 1   | 144      | NUT LOCK 3/8-16 NYLON       | 8160003          | 2   | 8160003         | 2   |
| 74       | LEVER CONTROL BRAKE FM  | 520093-S         | 1   | 520093-S        | 1   | 150      | WASHER 1/4" FC              | 8171002          | 16  | 8171002         | 16  |
| 75       | LEVER CONTROL DRIVE FM  | 520094           | 1   | 520094          | 1   | 153      | WASHER 5/16 SAE             | 8172008          | 2   | 8172008         | 2   |
| 76       | LEVER CONTROL BLADE FM  | 520095           | 1   | 520095          | 1   | 154      | WASHER 1/2" SAE ZP          | 8172011          | 2   | 8172011         | 2   |
| 77       | PLATE REV LOCK OUT      | 520096           | 2   | 520096          | 2   | 177      | LABEL BGI OVAL FM           | 520110           | 1   | 520110          | 1   |
| 78       | BRACKET SHIFT PIVOT FM  | 520097           | 1   | 520097          | 1   | 185      | RETAINING RING EXTERNAL     | 520176           | 1   | 520176          | 1   |

19.1 GRASS CATCHER KIT 520142

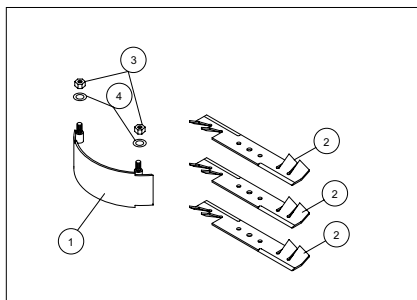
Purpose: Easily convert your mower to bag grass and leaves.



| Item No. | Part No. | Description                              | Qty |
|----------|----------|--|-----|
| 1        | 520012   | GRASS CATCHER BAG                        | 1   |
| 2        | 520038   | WIRE FRAME GRASS CATCHER FM              | 1   |
| 3        | 520069   | GRASS CATCHER MOUNT WA FM                | 1   |
| 4        | 520059   | BRACKET GRASS CATHCER LATCH L FM         | 1   |
| 5        | 520060   | BRACKET GRASS CATHCER LATCH R FM         | 1   |
| 6        | 8041006  | SCREWCAP 1/4" - 20 X 1" ZP               | 1   |
| 7        | 8171002  | WASHER 1/4" FC ZP                        | 1   |
| 8        | 8160001  | NUTLOCK 1/4" - 20                        | 1   |
| 9        | 520126   | WASHER #8 SAE                            | 4   |
| 10       | 520128   | SCREW ROUND HEAD #8-32 X 3/4" CLEAR ZINC | 4   |
| 11       | 520129   | NUTLOCK #8 - 32                          | 4   |
| 12       | 520147   | LIT GRASS CATCHER KIT FM                 | 1   |

19.2 MULCHING KIT 520144

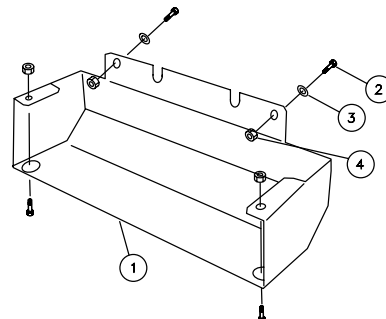
Purpose: Reduces lawn clippings to fine nutrient-rich particles that filter down to the soil.



| Item No. | Part No. | Description              | Qty |
|----------|----------|--------------------------|-----|
| 1        | 520014   | MULCHING PLATE WA FM     | 1   |
| 2        | 520002   | BLADE 11.88" MULCHING    | 3   |
| 3        | 8161042  | NUTLOCK 3/8"-16 THIN HGT | 2   |
| 4        | 8171003  | WASHER 5/16 FC           | 2   |
| 5        | 520148   | LIT MULCHING KIT FM      | 1   |

19.3 TRANSAXLE GUARD KIT 520155

Purpose: To protect the transaxle from accidental contact from concrete curbs or other hazards.



| Item No. | Part No. | Description                | Qty |
|----------|----------|----------------------------|-----|
| 1        | 520151   | BRACKET GUARD TRANSAXLE FM | 1   |
| 2        | 8041028  | SCREWCAP 5/16-18X1"        | 4   |
| 3        | 8171002  | WASHER 1/4 FC              | 2   |
| 4        | 8160002  | NUTLOCK 5/16 - 18          | 4   |