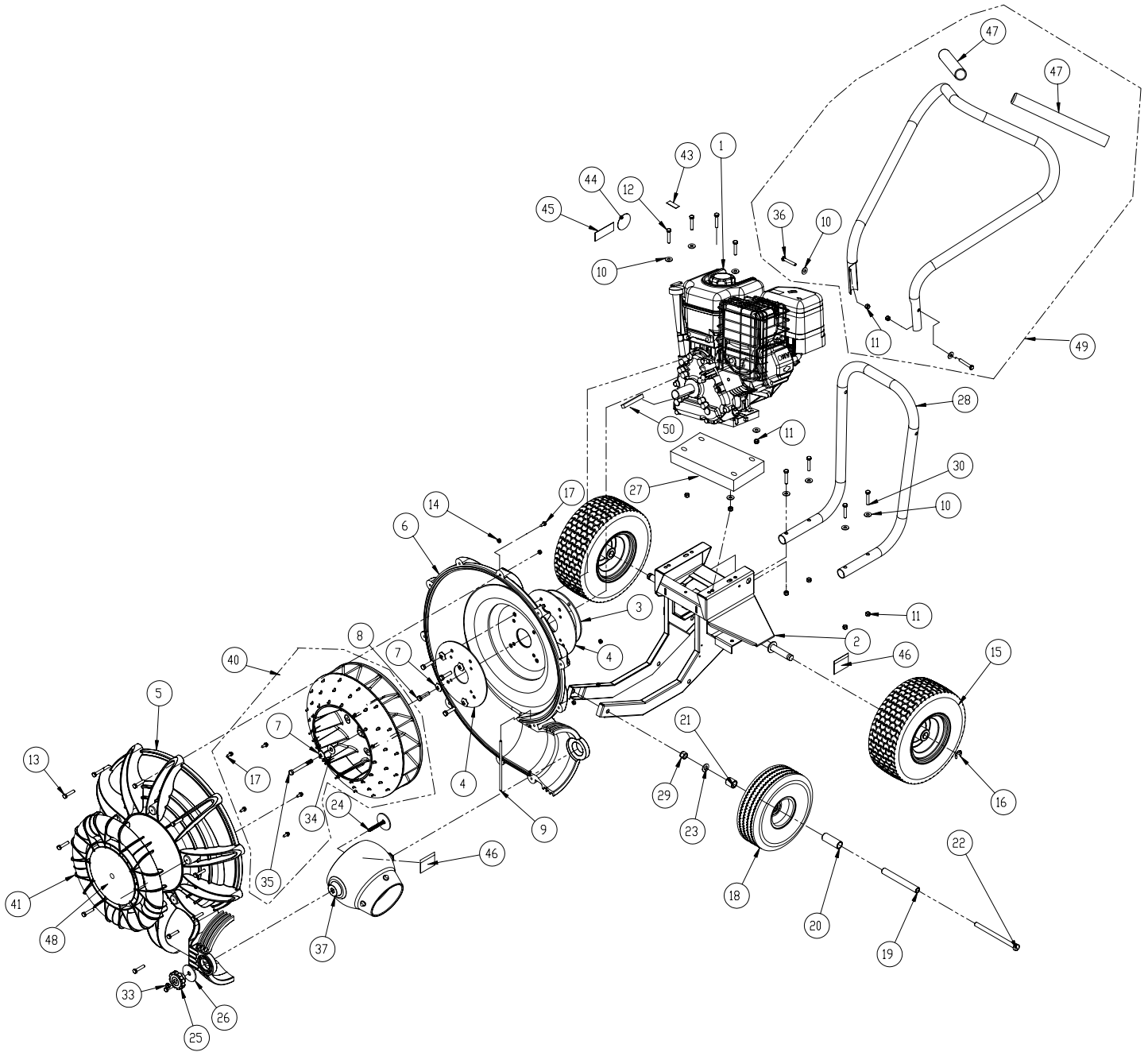


ILLUSTRATED PARTS LIST





FORCE BLOWER 8 Owner's Manual

PARTS LIST

F800			
ITEM NO.	DESCRIPTION	PART NUMBER	QTY.
1	ENGINE 8 HP B&S	440181	1
2	BASE ENGINE WA	440011	1
3	SPACER RING ENGINE	440009	1
4	PLATE REINFORCE HOUSING	440010	2
5	HOUSING FRONT MOLDED	440023	1
6	HOUSING BACK MOLDED	440024	1
7	WASHER LOCK 3/8 TWISTED TOOTH	400502	4
	WASHER LOCK 7/16 S/T MED	8177013	1
8	SCREW CAP 3/8-16X1 1/2 ZP	8041052	4
9	ROD HAND STOP	440057	1
10	WASHER 5/16 FLATWASHER Z/P	8171003	16
11	NYLON INSERT LOCKNUT 5/16-18	8160002	10
12	SCREWCAP 5/16-18 X 2.5 ZP	8041034	4
13	SCREWCAP 1/4-20 x 1 1/2	8041008	11
14	NUT FLANGE 1/4-20	900455	11
15	WHEEL & TIRE 13" X 5" PNEUMATIC	440054	2
16	RING RETAINING 3/4	850230	2
17	SCREW SELF-TAP 5/16 NC X 3/4 HEX	8122082	7
18	WHEEL ASSY 10 " PNEUMATIC	400295	1
19	SPACER FRONT AXLE	440050	1
20	SPACER LH WHEEL	440052	1
21	SPACER RH WHEEL	440051	1
22	SCREWCAP 1/2-13 x 7"	8041235	1
23	WASHER FLAT 1/2" SAE	8172011	1
24	WASHER W/BOLT WA	440075	1
25	KNOB 3/8-16 SOLID HUB	811230	1
26	WASHER 2.25 OD x .515 ID x .134 ZP	610308-P	1
27	ENGINE SPACER	430355	1
28	HANDLE LOWER	440034	1
29	NYLON INSERT LOCKNUT 1/2-13	8160005	1
30	SCREWCAP 5/16-18 X 1.75 ZP	8041031	4
31			
32			
33	NUT LOCK 3/8-16 LT WT THIN ZP	8161042	1
34	WASHER 1.5 O.D.X 0.45 I.D. X 0.25	440153	2
35	SCREWCAP 7/16-20 X 3.5 GR.8 60ft-lbs	440150	1
36	SCREWCAP 5/16"-18 X 2" ZP	8041032	2
37	DIRECTOR CONE 4"	440046	1
		-	-
38			
39			
40	IMPELLER ASSEMBLY 17"	440110	1
41	GRILL FRONT BLOWER	440112	1
42			
43	LABEL HOT ENGINE	400268	1
44	LABEL READ	890301	1
45	LABEL EAR EYE BREATHING	890254	1
46	LABEL DANGER FLYING DEBRIS	810736	1
47	GRIP 1-1/4" ID x 13"	440012	2
48	LABEL FORCE	440182	1
49	HANDLE ASSY UPPER	440185	1
50	Key 1/4" SQ x 2.25	9201123	1