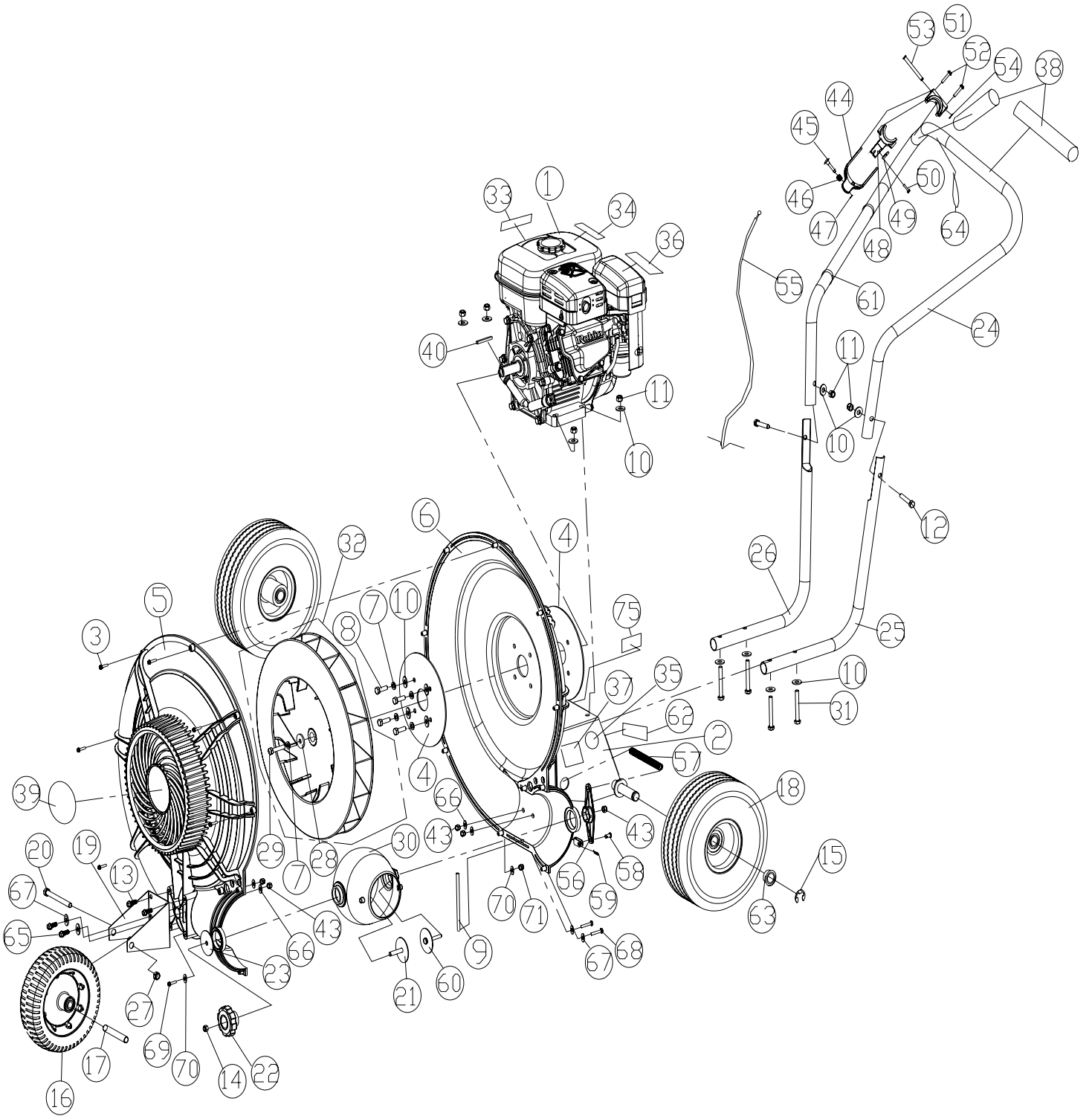




ILLUSTRATED PARTS LIST





FORCE 6 BLOWER Owner's Manual

PARTS LIST

ITEM NO.	DESCRIPTION	F601S		F601HS	
		PART NUMBER	QTY.	PART NUMBER	QTY.
1	ENGINE 6 HP HORZ SUBARU	350307	1	-	-
	ENGINE 6 HP HONDA	-	-	441199	1
2	BASE ENGINE WA	441151-S	1	441151-S	1
3	SCREW PLASTITE #8-16 X 3/4" HWH	441155	10	441155	10
4	PLATE REINFORCE HOUSING	441102	2	441102	2
5	HOUSING FRONT MOLDED	441101-1-S	1	441101-1-S	1
6	HOUSING BACK MOLDED	441101-2	1	441101-2	1
7	WASHER LOCK 5/16 ST MED	8177011	5	8177011	5
8	SCREW CAP 5/16-24 X 1" GR. 5 ZP	400164	4	400164	4
9	ROD HAND STOP	441154	1	441154	1
10	WASHER 5/16 FLATWASHER Z/P	8171003	14	8171003	14
11	NYLON INSERT LOCKNUT 5/16-18	8160002	6	8160002	6
12	SCREWCAP 5/16-18 X 1.75 ZP	8041031	2	8041031	2
13	SCREW PLASTITE 1/4-10 X 3/4 HWH	840082	4	840082	4
14	NUT LOCK 5/16-18 LT WT TH ZP	8161041	1	8161041	1
15	RING RETAINING 3/4	850230	2	850230	2
16	WHEEL 8" X 0.5	441123	1	441123	1
17	SPACER FRONT AXLE	441162	1	441162	1
18	WHEEL ASSY 10"	400295	2	400295	2
19	FRONT WHEEL BRACKET	441122	1	441122	1
20	SCREWCAP 3/8-16 X 3 3/4 HCS ZP	8041061	1	8041061	1
21	WASHER W/BOLT WA	441156	1	441156	1
22	KNOB 5/16-18 X 5/8 FLUTED	400339	1	400339	1
23	WASHER EXTENSION	810652	1	810652	1
24	HANDLE UPPER	441157-S	1	441157-S	1
25	HANDLE LOWER LH	441158	1	441158	1
26	HANDLE LOWER RH	441159	1	441159	1
27	NUT LOCK 3/8-16 LT WT THIN ZP	8161042	1	8161042	1
28	WASHER 1.125 OD X 0.344 ID X 10 GA.	441150	1	441150	1
29	SCREWCAP 5/16-24 X 1 1/2 GR 8 17-22 Ft. lbs. (23-30 N.m.)	830135	1	830135	1
30	DIRECTOR CONE 3.5"	441120-01	1	441120-01	1
31	SCREWCAP 5/16-18 X 2 1/2	8041034	4	8041034	4
32	IMPELLER ASSEMBLY 17"	441202-S	1	441202-S	1
33	LABEL SPARK ARRESTOR	100252	1	100252	1
34	LABEL WARNING FUEL EN/SP	100261	1	100261	1
35	LABEL READ	890301	1	890301	1
36	LABEL EAR EYE BREATHING	890254	1	890254	1
37	LABEL DANGER FLYING DEBRIS	810736	1	810736	1
38	GRIP 1" ID x 13"	400570	2	400570	2
39	LABEL LOGO SMALL FRAME	441234	1	441234	1
40	Key 3/16" SQ x 1 3/4	9201084	1	9201084	1
43	NUT LOCK 1/4"-20 HEX ZP	8160001	5	8160001	5
44	HANDLE DIVERTER FORCE	440119	1	440119	1
45	PIN LATCH DIVERTER	440118	1	440118	1
46	SPRING COMPRESSION 0.281 X 0.88	440129	1	440129	1
47	RING RETAINING .122 DIA	440125	1	440125	1
48	SADDLE UPPER DIVERTER	440115	1	440115	1
49	PLATE LOCK DIVERTER	440116	1	440116	1
50	SCREW PLASTITE #6-19 X 5/8"	440132	1	440132	1
51	SADDLE LOWER DIVERTER	440114	1	440114	1
52	SCREW PLASTITE #10-14 X 1"	440126	2	440126	2
53	PIN PIVOT DIVERTER CONTROL	440123	1	440123	1
54	RING RETAINING 5/16	430327	1	430327	1
55	CABLE ASSY	441163	1	441163	1
56	DIVERTER PIVOT ADAPTOR	440121	1	440121	1
57	SPRING EXTENSION 0.468 X 5.25	440130	1	440130	1
58	PIN CLEVIS 1/4 X 3/4	440124	1	440124	1
59	.051 X 3/4" HITCH PIN CLIP	440193	1	440193	1
60	ADAPTOR MOUNT WA	440122	1	440122	1
61	TY-WRAP	900407	3	900407	3
62	LABEL VIBRATION WARNING	440191	1	440191	1
63	FORCE WHEEL BEARING .751 ID	440055	2	440055	2
64	ELASTIC LOOP BLACK 5.5"	100267	1	100267	1
65	SCREWCAP 1/4-20 X 1 1/4" HCS ZP	8041007	2	8041007	2
66	FENDER WASHER 5/16	8172020	4	8172020	4
67	WASHER 1/4" SAE	8172007	4	8172007	4
68	SCREWCAP 1/4"-20 1 1/2" HCS ZP	8041008	2	8041008	2
69	SCREWCAP #10-24 X 1 1/4" HWH ZP	8059140	1	8059140	1
70	WASHER #10 SAE	8172005	2	8172005	2
71	NUT LOCK LT #10 - 24 HEX	8164005	1	8164005	1
75	LABEL MADE IN U.S.A.	520116	1	520116	1