

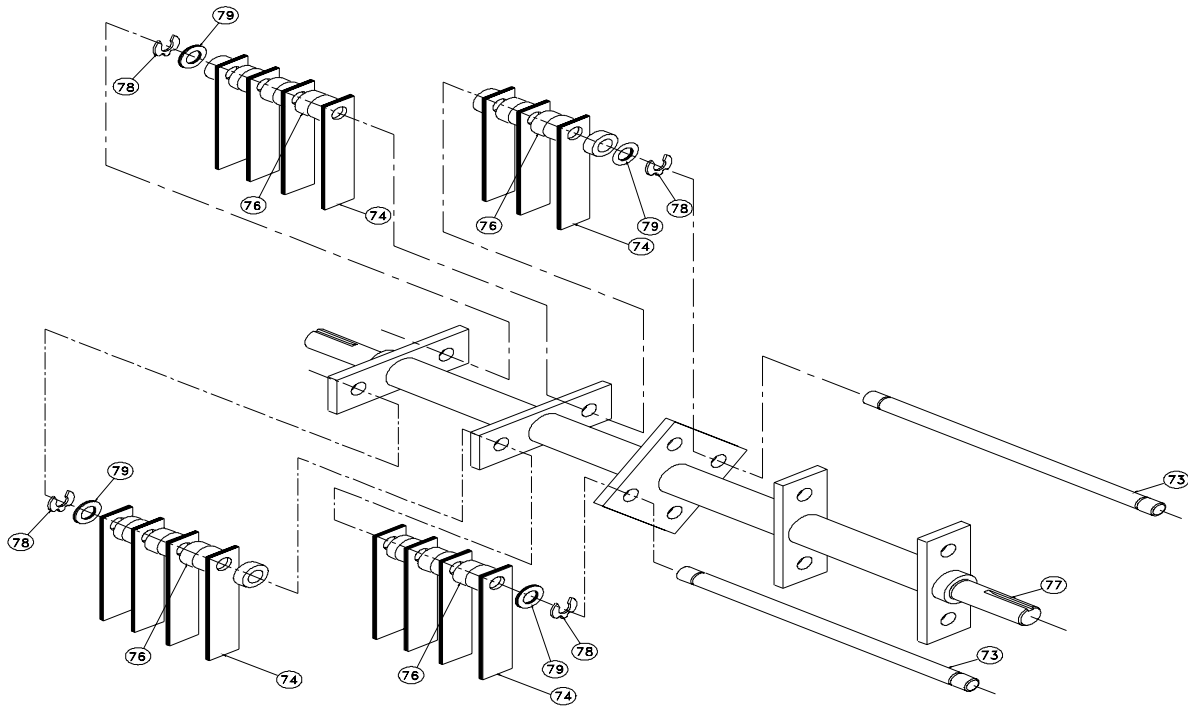
PAGE 10 FOR PARTS LIST  
SLICING AND FLAIL REEL



**18 PARTS DRAWING**  
**CR550HC, CR550HCV**

item no.	PARTS LIST	CR550HC	QTY	CR550HCV	QTY
		Part No.		Part No.	
1	Pulley 3.0" O.D.	350101	1	350101	1
2	Pulley 5.5" O.D. X ¾"	350206	1	350206	1
3	Wheel 8" Semi-Pneu White	350236	4	350236	4
4	Bar Strap	350211	1	350211	1
5	Rod Height Wa	350220	1	350220	1
6	Reel Flail Assy (see page 10 & 11 for parts list and detailed dwg.)	350241	1	350252	1
7	Pulley Idler 2.75"	350114	1	350114	1
8	Arm Idler WA	350115	1	350115	1
9	Belt 5L X 34"	350207	1	350207	1
10	Spacer Reel Pulley	350118	1	350118	1
11	Bracket Belt Finger	350208	1	350208	1
12	Chassis WA W/ Label	350235	1	350235	1
13	Frame Front WA	350213	1	350213	1
14	GRIP 1" x 13"	400570	2	400570	2
15	Label Instr. Hgt. Adj.	350224	1	350224	1
16	Link Height Bar	350223	1	350223	1
17	Knob Height Adj.	850154	1	850154	1
18	STUD 3/4"-10 X 5 1/2" PLTD	810538	1	810538	1
19	LOCKNUT ASSY	800227	1	800227	1
20	WASHER 3/4" NYLON	800109	1	800109	1
21	Guard Belt Top Wa	350248	1	350248	1
22	Guard Belt Bottom Wa	350249	1	350249	1
23	Bearing ¾" Cast Flange	350209	2	350209	2
24	Handle Lower LH WA	350134	1	350134	1
25	Handle Lower RH WA	350135	1	350135	1
26	Handle Upper PR500	350136	1	350136	1
27	Bail Clutch WA	350137	1	350137	1
28	Loop Folding Handle	350138	2	350138	2
29	Deflector Rubber	350210	1	350210	1
30	Guard Shaft CR	350250	1	350250	1
31	PIN LIFT FRONT 3/8" X 21 3/16" Long	350212	1	350212	1
32	PIN COTTER 1/8" X 1" Z/P	8197031	1	8197031	1
33	SCREWCAP 5/16-24x3/4" GR5	8042026	2	8042026	2
34	SCREWCAP 5/16 - 18 x 1 1/2	8041030	7	8041030	7
35	WASHER 1/4" FLAT Z/P	8171002	8	8171002	8
36	SCREWCAP 1/4"-20X2 1/2"	8041012	1	8041012	1
37	BELT FINGER WIRE	350301	1	350301	1
38	Cable Clutch Reel PR500	350181	1	350181	1
39	Spring Extension	350300	1	350300	1
40	Bolt Shoulder 1/2" X 1"	500114	1	500114	1
41	ENGINE HONDA 5.0 HP GC	430272	1	430272	1
42	KEY 3/16" X 1"	9201078	2	9201078	2
43	NUT 1/2 - 13 JAM	8162005	4	8162005	4
44	WASHER 1/2 SAE	8172011	8	8172011	8
45	SCREWCAP 1/2-13 x 3" Z/P	8041102	4	8041102	4
46	SCREWCAP 5/16"-18X1 1/4" HCS ZP	8041029	4	8041029	4
47	NUT LOCK 5/16-18	8160002	9	8160002	9
48	LABEL DANGER THROWN OBJECT	810736	1	810736	1
49	LABEL CLUTCH VQ	830503	1	830503	1
50	LABEL HOT ENGINE	400268	1	400268	1
51	LABEL WARNING	400424	2	400424	2
52	LABEL DANGER GUARD	900327	1	900327	1
53	PLUG CAP 1" RD	890132	2	890132	2
54	BOLT CARRAIGE 3/8-16 x 1 3/4	8024061	4	8024061	4
55	BOLT CARRAIGE 5/16-18 x 1 3/4	8024043	2	8024043	2
56	SCREWCAP 1/4-20x1"	8041006	4	8041006	4
57	LOCK WASHER TWISTED TOOTH	400502	1	400502	1
58	SCREWCAP REEL ASSEMBLY	8041050	1	400164	1
59	NUT LOCK 1/4-20	8160001	5	8160001	5
60	NUT LOCK 3/8-16	8160003	4	8160003	4
61	NUT LOCK 3/8-16 THIN	8161042	1	8161042	1
62	NUT LOCK 1/4-20	8160001	13	8160001	13
63	WASHER 5/16 FLAT CUT	8171003	8	8171003	8
64	SCREWCAP 3/8-16x1 1/4"	8041051	4	8041051	4
65	SCREWCAP SHEET METAL DRILL POINT 1/4X3/4	430208	6	430208	6
66	NUT JAM 1/4-20	8143001	1	8143001	1
67	SCREW MACH. #10-24X2"	8059143	1	8059143	1
68	BRACE DEFLECTOR	350234	4	350234	4
69	Knob Height Adj.	430128	1	430128	1
70	WASHER 5/16 SAE	8172009	1	8172009	1
71	SPACER CRANK CR HONDA	350338	1	350338	1
72	SCREWCAP 5/16-24 x 1 1/4" GR. 8	400389	1	400389	1
73	WASHER FENDER 5/16	8172020	1	8172020	1
74	WASHER TWISTED TOOTH	430298	1	430298	1

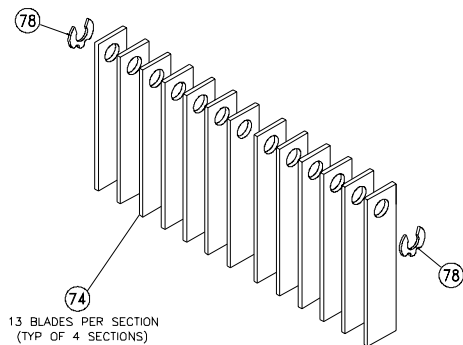
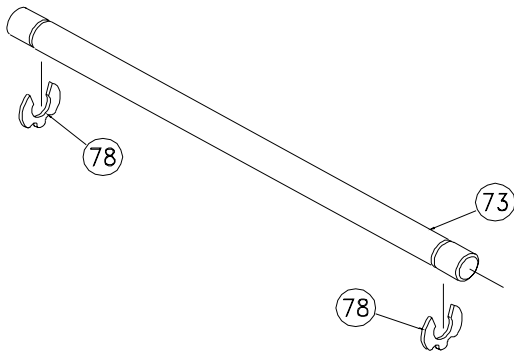
**FLAIL REEL ASSY 350241**



item no.	PARTS LIST	CR500 Part No.	QTY
73	SHAFT FLAIL BLADE	350141	4
74	BLADE FLAIL	350205	30
76	SPACER BUMPER 5/8" x 1/2"	350144	54
77	SHAFT WA FLAIL REEL	350145	1
78	CLIP LOCK 1/2"	350146	8
79	WASHER 1/2 SAE	8172011	8

**FLAIL SHAFT KIT 350185**

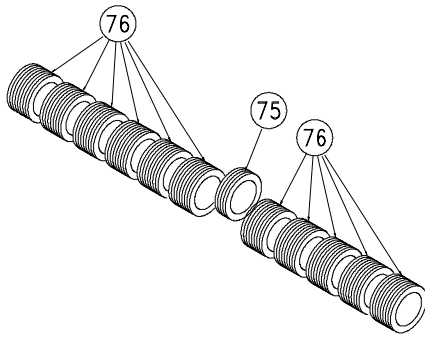
**FLAIL BLADE KIT 350251**



item no.	PARTS LIST	CR500 Part No.	QTY
73	SHAFT FLAIL BLADE	350141	4
78	CLIP LOCK 1/2"	350146	8

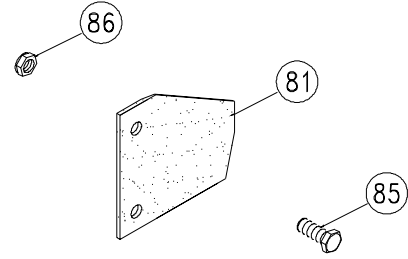
item no.	PARTS LIST	CR500 Part No.	QTY
74	BLADE FLAIL	350205	60
78	CLIP LOCK 1/2"	350146	8

## SPACER BUMPER KIT 350258



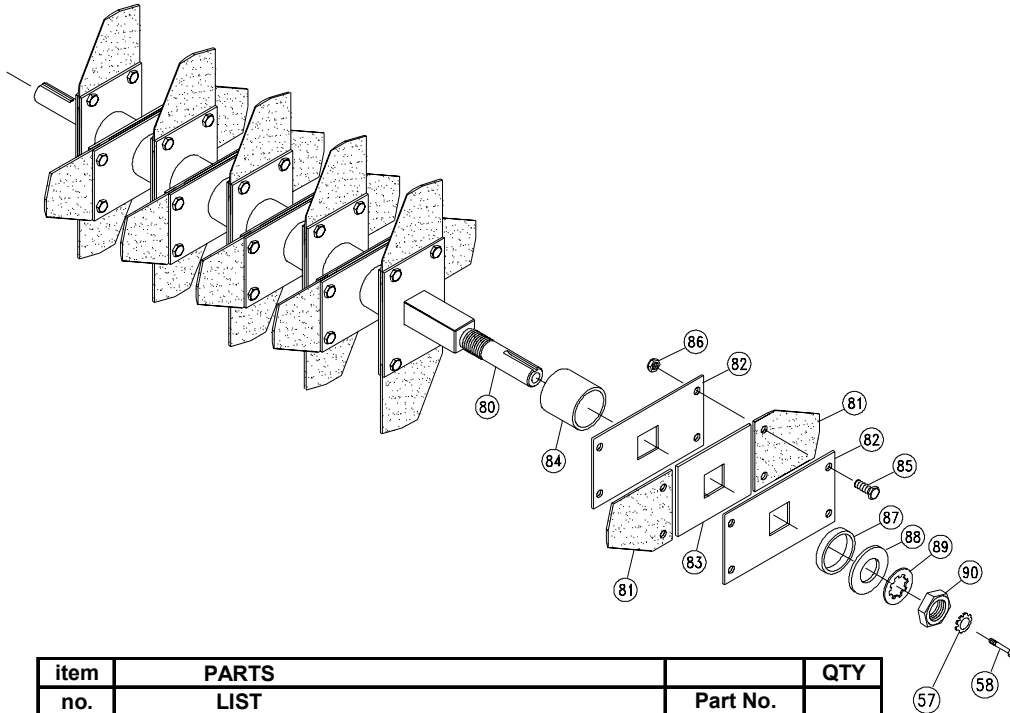
item no.	PARTS LIST	PR500 Part No.	QTY
75	SPACER BUMPER 5/8" x 1/4"	350143	4
76	SPACER BUMPER 5/8" x 1/2"	350144	54

## SLICING BLADE KIT 350187



item no.	PARTS LIST	Part No.	QTY
81	BLADE SLICING REEL	350147	20
85	SCREWCAP 1/4-20 x 3/4, GR. 5	350151	40
86	NUT LOCK 1/4-20	8160001	40

## SLICING REEL ASSY 350252



item no.	PARTS LIST	Part No.	QTY
57	LOCK WASHER 5/16 TWISTED TOOTH	430298	1
58	SCREWCAP 5/16 - 24 X 1" GR. 5	400164	1
80	SHAFT SLICING WA	350142	1
81	BLADE SLICING REEL	350147	20
82	PLATE BLADE MTG.	350253	20
83	SPACER BLADE MTG.	350254	10
84	SPACER BLADE ASSY	350150	9
85	SCREWCAP 1/4-20 x 3/4, GR. 5	350151	40
86	NUT LOCK 1/4-20	8142004	40
87	COLLAR SPACER	350152	1
88	WASHER 0.937 x 1.750 x 0.119	350153	1
89	WASHER LOCK 7/8 INT. TOOTH	350154	1
90	NUT JAM 7/8-14	350155	1