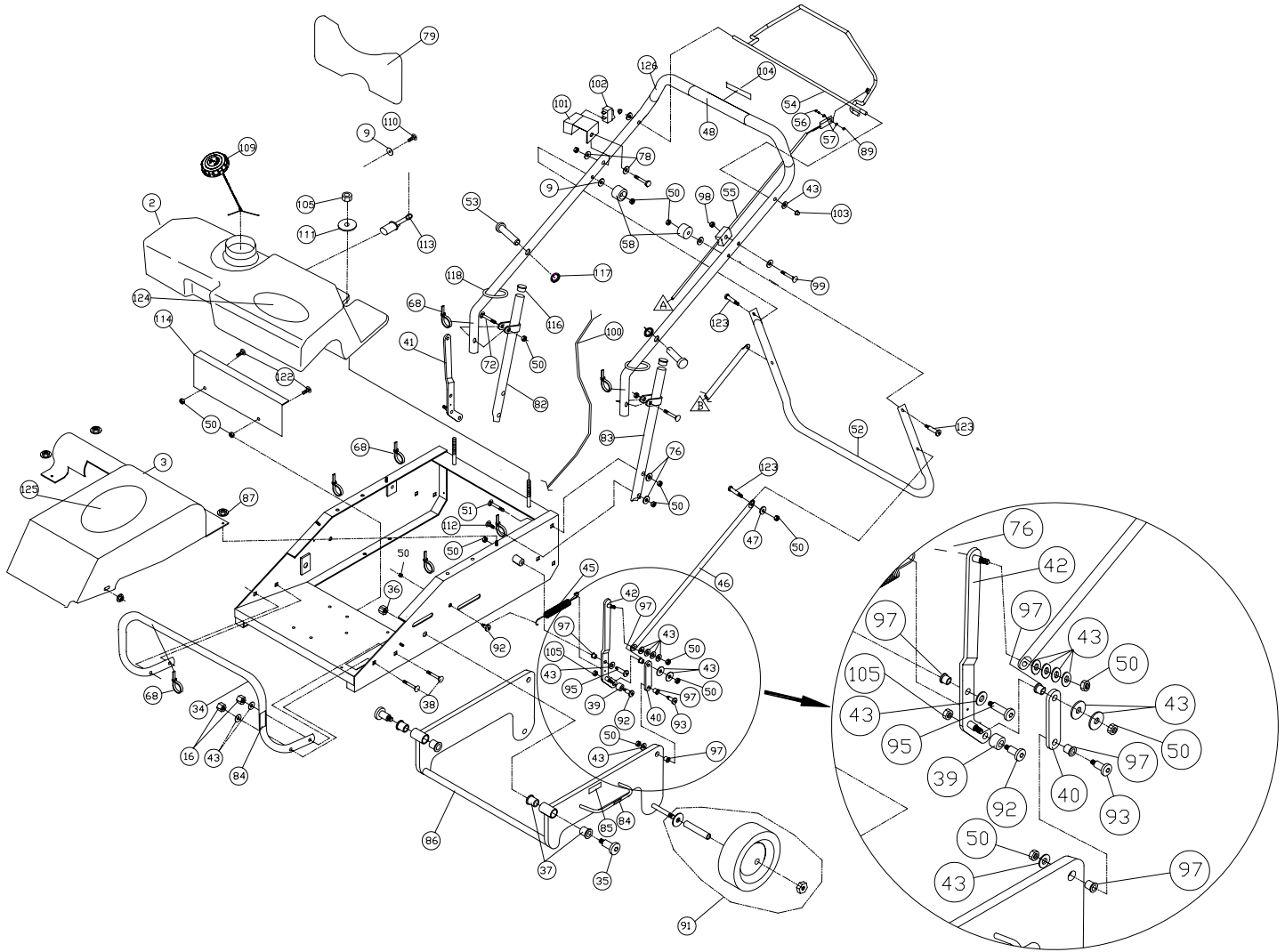


PARTS DRAWING AE





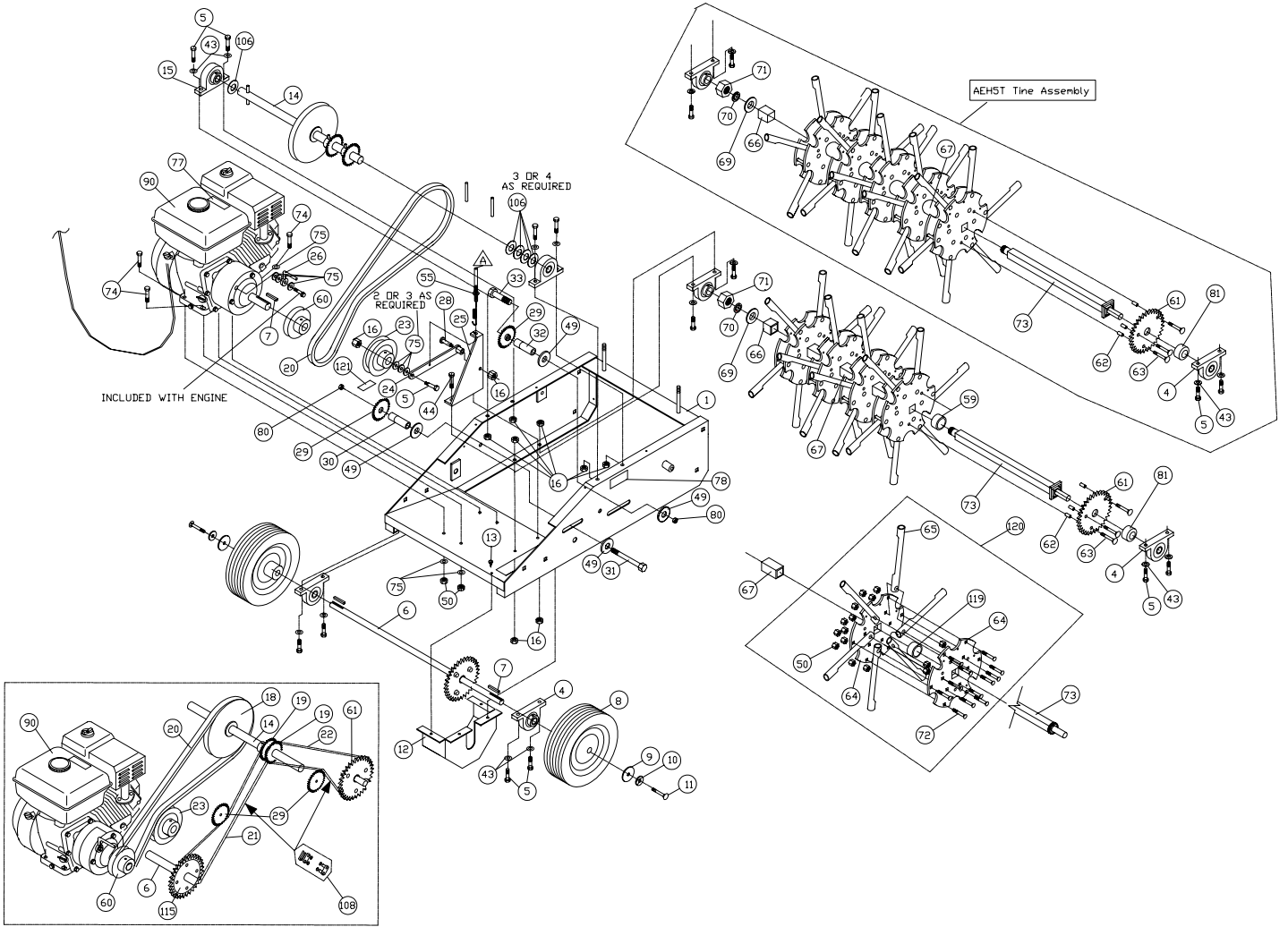
AE Owner's Manual

PARTS LIST AE

ITEM NO.	DESCRIPTION	AE401 Part No.	QTY	AE401H5T Part No.	QTY	AE401H Part No.	QTY	AE401S Part No.	QTY
2	WATER TANK 5.5 GAL	360238	1	360238	1	360238	1	360238	1
3	GUARD DRIVE COVER	360201	1	360280	1	360280	1	360305	1
9	WASHER 5/16 FENDER	8172020	5	8172020	5	8172020	5	8172020	5
16	NUT LOCK 3/8-16	8160003	4	8160003	4	8160003	4	8160003	4
34	TUBE FRONT BUMPER	360329	1	360329	1	360329	1	360329	1
35	BOLT SHOULDER 3/4 x 2.5	360146	2	360146	2	360146	2	360146	2
36	NUT LOCK 5/8-11 THIN	8161046	2	8161046	2	8161046	2	8161046	2
37	BUSHING PIVOT	360183	4	360183	4	360183	4	360183	4
38	BOLT CARRIAGE 3/8-16 x 1.75"	8024061	4	8024061	4	8024061	4	8024061	4
39	TUBE SPACER	830526-P	2	830526-P	2	830526-P	2	830526-P	2
40	BRACKET LIFT LINK	360246	2	360246	2	360246	2	360246	2
41	LINK LIFT RIGHT	360300	1	360300	1	360300	1	360300	1
42	LINK LIFT LEFT	360299	1	360299	1	360299	1	360299	1
43	WASHER FLAT 3/8 SAE	8172009	22	8172009	22	8172009	22	8172009	22
45	SPRING EXTENSION	360154	2	360154	2	360154	2	360154	2
46	ROD LIFT	360297	2	360297	2	360297	2	360297	2
47	WASHER 5/16 SAE ZP	8172008	2	8172008	2	8172008	2	8172008	2
48	HANDLE UPPER AE	350375	1	350375	1	350375	1	350375	1
50	NUT LOCK 5/16-18	8160002	20	8160002	20	8160002	20	8160002	20
51	CARRIAGE BOLT 5/16-18X1.50	8024042	2	8024042	2	8024042	2	8024042	2
52	HANDLE LIFT	360296	1	360296	1	360296	1	360296	1
53	CLEVIS PIN 3/8" X 1.625	520119	2	520119	2	520119	2	520119	2
54	BAIL CLUTCH	350374	1	350374	1	350374	1	350374	1
55	CABLE CLUTCH ASSY	360313	1	360313	1	360313	1	360313	1
56	SCREWCAP #10 - 24 X 0.625	8059135	1	8059135	1	8059135	1	8059135	1
57	WASHER #10 SAE FLAT	8172005	2	8172005	2	8172005	2	8172005	2
58	BUMPER RECESS	360298	2	360298	2	360298	2	360298	2
68	TY-WRAP	900407	10	900407	10	900407	10	900407	10
72	CARRIAGE BOLT 5/16-18X1.75	8024043	2	8024043	2	8024043	2	8024043	2
76	WASHER 1/4 FLAT CUT	8171002	7	8171002	7	8171002	7	8171002	7
78	WASHER 1/4 SAE	8172007	2	8172007	2	8172007	2	8172007	2
79	LABEL TANK INSTRUCTIONS AE	360025	1	360025	1	360025	1	360025	1
82	HANDLE LOWER RIGHT WA	360270	1	360270	1	360270	1	360270	1
83	HANDLE LOWER LEFT WA	360269	1	360269	1	360269	1	360269	1
84	LABEL LIFT HERE	360187	4	360187	4	360187	4	360187	4
85	LABEL WARNING WEIGHT	360188	2	360188	2	360188	2	360188	2
86	FRAME REAR WA	360267	1	360267	1	360267	1	360267	1
87	NUT FLANGE 1/4-20	900453	4	900453	4	900453	4	900453	4
89	LOCKNUT #10-24	8164005	1	8164005	1	8164005	1	8164005	1
91	TIRE & WHEEL 8" ASSY	360334	2	360334	2	360334	2	360334	2
92	BOLT SHOULDER 3/8 x 1/2"	830528	4	830528	4	830528	4	830528	4
93	BOLT SHOULDER 3/8 x 1"	360152	2	360152	2	360152	2	360152	2
95	BOLT SHOULDER 3/8 x 2"	360153	2	360153	2	360153	2	360153	2
97	BUSHING SHOULDER NYLON 3/8 ID	360175	8	360175	8	360175	8	360175	8
98	NUT LOCK 1/4x20 THIN	8160001	1	8160001	1	8160001	1	8160001	1
99	SCREW CAP 1/4 - 20 x 1 1/2"	8041009	1	8041009	1	8041009	1	8041009	1
100	HARNESS WIRE AE	360316	1	360316	1	360316	1	360316	1
101	BRACKET MOUNT SWITCH	430141	1	430141	1	430141	1	430141	1
102	SWITCH ON-OFF	500281	1	500281	1	500281	1	500281	1
103	NUT - PAL 3/8	360218	2	360218	2	360218	2	360218	2
104	CLUTCH LABEL	830503	1	830503	1	830503	1	830503	1
105	NUT LOCK 5/16 -18 THIN	8161041	6	8161041	6	8161041	6	8161041	6
107	PLASTIC LANYARD	360243	3	360243	3	360243	3	360243	3
109	CAP WATER TANK	360256	1	360256	1	360256	1	360256	1
110	SCREW SELF TAP 1/4-20 x 5/8"	430361	1	430361	1	430361	1	430361	1
111	WASHER - EXTENSION	810652	2	810652	2	810652	2	810652	2
112	CARRIAGE BOLT 5/8" X 34"	8024039	2	8024039	2	8024039	2	8024039	2
113	PLUG DRAIN 1"	360293	1	360293	1	360293	1	360293	1
114	GUARD PLUG AE	360292	1	360292	1	360292	1	360292	1
116	PLUG CAP 1" TUBE	890132	2	890132	2	890132	2	890132	2
117	RETAINER 3/8"	360279	2	360279	2	360279	2	360279	2
118	LOOP FOLDING HANDLE	350138	2	350138	2	350138	2	350138	2
122	SCREWCAP 5/16-18 x 3/4	8041026	2	8041026	2	8041026	2	8041026	2
123	BOLT SHOULDER 3/8 x 1 1/4"	360284	4	360284	4	360284	4	360284	4
124	LABEL BILLY GOAT OVAL	360274	1	360274	1	360274	1	360274	1
125	LABEL BILLY GOAT CIRCLE	430303	1	430303	1	430303	1	430303	1
126	GRIP	400570	2	400570	2	400570	2	400570	2



PARTS DRAWING AE





AE Owner's Manual

PARTS LIST AE

ITEM NO.	DESCRIPTION	AE401 Part No.	QTY	AE401H5T Part No.	QTY	AE401H Part No.	QTY	AE401S Part No.	QTY
1	FRAME ASSEMBLY WA AE401	360304	1	360304	1	360304	1	360304	1
4	BEARING 3/4" PILLOW BLOCK	350133	4	350133	4	350133	4	350133	4
5	SCREWCAP 3/8-16 x 1 1/2	8041052	12	8041052	8	8041052	12	8041052	12
	SCREWCAP 3/8-16 x 1 1/4"	-	-	8041051	4	-	-	-	-
6	FRONT AXLE ASSY	360332	1	360332	1	360332	1	360332	1
7	KEY SQUARE 3/16 x 3/16 x 1.25	9201080	3	9201080	3	9201080	3	9201080	3
8	WHEEL 10.5" SEMI PN. W3/4" KEYED HUB	360388	2	360388	2	360388	2	360388	2
9	FENDER WASHER 5/16"	8172020	3	8172020	3	8172020	3	8172020	3
10	WASHER LOCK 5/16 TWISTED TOOTH	430298	2	430298	2	430298	2	430298	2
11	SCREWCAP 5/16-18 x 1"	8041028	2	8041028	2	8041028	2	8041028	2
12	GUARD DIFFERENTIAL AE	360248	1	360248	1	360248	1	360248	1
13	SCREW SELF TAP 1/4 x 1/2"	8122080	2	8122080	2	8122080	2	8122080	2
14	JACKSHAFT AERATOR ASSY	360331	1	360331	1	360331	1	360331	1
15	BEARING 1" PILLOW BLOCK	810700	2	810700	2	810700	2	810700	2
16	NUT LOCK 3/8-16	8160003	16	8160003	15	8160003	16	8160003	16
20	BELT 4L x 43" POWER RATED	360120	1	360120	1	360120	1	360120	1
21	CHAIN #40 x 94 PITCH O-RING (WHEEL)	360115	1	360115	1	360115	1	360115	1
22	CHAIN #40 x 76 PITCH O-RING (TINE)	360114	1	360114	1	360114	1	360114	1
23	PULLEY IDLER 4.5"	500270	1	500270	1	500270	1	500270	1
24	ARM IDLER WA	510199	1	510199	1	510199	1	510199	1
25	BRACKET MOUNT IDLER	360121	1	360121	1	360121	1	360121	1
26	BELT FINGER FRONT AE	360219	1	360219	1	360219	1	360219	1
27									
28	BOLT SHOULDER 1/2 x 1	500114	1	500114	1	500114	1	500114	1
29	SPROCKET IDLER 17T x 5/8" BORE	360116	2	360116	2	360116	2	360116	2
30	SPACER SPROCKET IDLER 2.5"	360123	1	360123	1	360123	1	360123	1
31	SCREW CAP 1/2 - 13 x 4	8041106	1	8041106	1	8041106	1	8041106	1
32	SPACER SPROCKET IDLER 1.175"	360124	1	360124	1	360124	1	360124	1
33	SCREW CAP 1/2 - 13 x 3"	8041102	1	8041102	1	8041102	1	8041102	1
43	WASHER FLAT 3/8 SAE	8172009	12	8172009	12	8172009	12	8172009	12
44	SCREWCAP 3/8 -16 x1	8041050	2	8041050	2	8041050	2	8041050	2
49	FLAT WASHER 1/2"	8171006	4	8171006	4	8171006	4	8171006	4
50	NUT LOCK 5/16-18	8160002	55	8160002	68	8160002	55	8160002	55
55	CABLE CLUTCH ASSY	360313	1	360313	1	360313	1	360313	1
59	SPACER TINE SPROCKET END	360108	1	-	-	360108	1	360108	1
60	PULLEY ENGINE	610417	1	610417	1	610417	1	610417	1
61	SPROCKET 42 T	360106	1	360106	1	360106	1	360106	1
62	SPACER - TINE SPROCKET 1.468	360272	3	360107	3	360272	3	360272	3
63	SCREW CAP 5/16-18 x 3 1/2"	8041038	3	-	-	8041038	3	8041038	3
	SCREWCAP 5/16-18 X 2 1/2" HCS ZP	-	-	8041034	3	-	-	-	-
64	TINE PLATE	360101	8	360101	10	360101	8	360101	8
65	TINE	360100	24	360100	30	360100	24	360100	24
66	SPACER - NUT RIGHT END	360266	1	360282	1	360266	1	360266	1
67	SPACER - BETWEEN TINE ASSEMBLIES	360265	3	360104	4	360265	3	360265	3
69	HEAVY WASHER TINE ASSY	830113	1	830113	1	830113	1	830113	1
70	WASHER LOCK 7/8" INTERNAL	350154	1	350154	1	350154	1	350154	1
71	NUT JAM 7/8 -14 (Torque 100 ft.lbs)	350155	1	350155	1	350155	1	350155	1
72	CARRIAGE BOLT 5/16-18X1.75	8024043	48	8024043	60	8024043	48	8024043	48
73	SHAFT TINE DRIVE	360102	1	360102	1	360102	1	360102	1
74	SCREW CAP 5/16 - 18 x 1.5"	8041030	4	8041030	4	8041030	4	8041030	4
75	WASHER FLAT CUT 5/16	8171003	9 OR 10	8171003	9 OR 10	8171003	9 OR 10	8171003	9 OR 10
77	LABEL HOT ENGINE	400268	1	400268	1	400268	1	400268	1
78	LABEL DANGER GUARD	900327	2	900327	2	900327	2	900327	2
80	NUT LOCK 1/2 -13 THIN	8161044	2	8161044	2	8161044	2	8161044	2
81	SPACER BEARING/SPROCKET 0.375 THK	360109	1	360109	1	360109	1	360109	1
90	ENGINE	360127	1	360278	1	360278	1	360306	1
94	LOCKNUT 3/8" - 16 THIN HGT	8161042	1	8161042	1	8161042	1	8161042	1
106	WASHER 1.062" ID X 1.75 OD	8172021	4 OR 5	8172021	4 OR 5	8172021	4 OR 5	8172021	4 OR 5
108	CHAIN MASTER LINK	360205	2	360205	2	360205	2	360205	2
119	SPACER - TINE PLATES	360105	4	360105	5	360105	4	360105	4
120	TINE ASSY (INCLUDES 50,64,65,72,&119)	360197	1	360197	1	360197	1	360197	1
121	RUBBER PAD 1/8" TK X 1/2" W	350310	1	350310	1	350310	1	350310	1